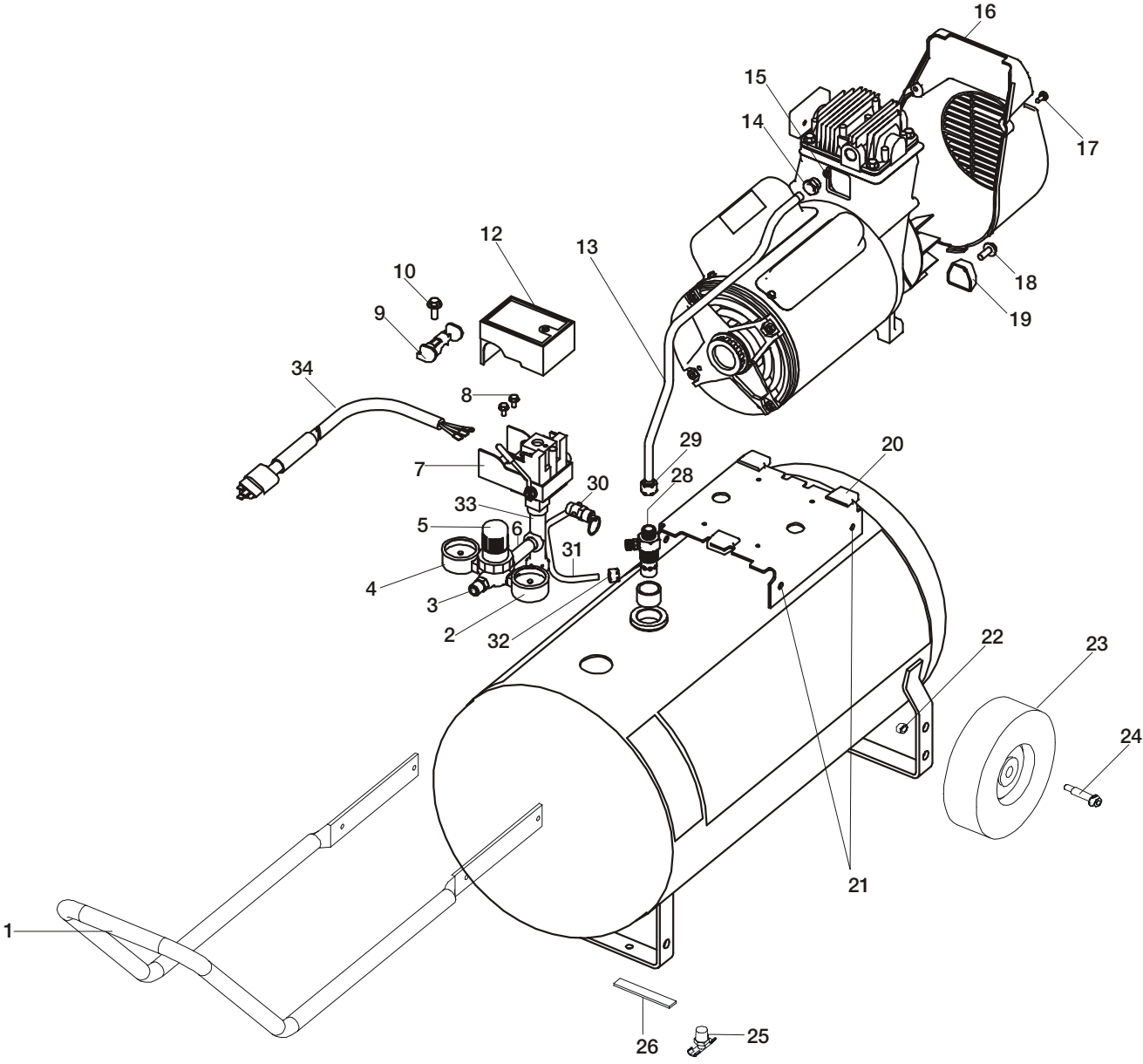


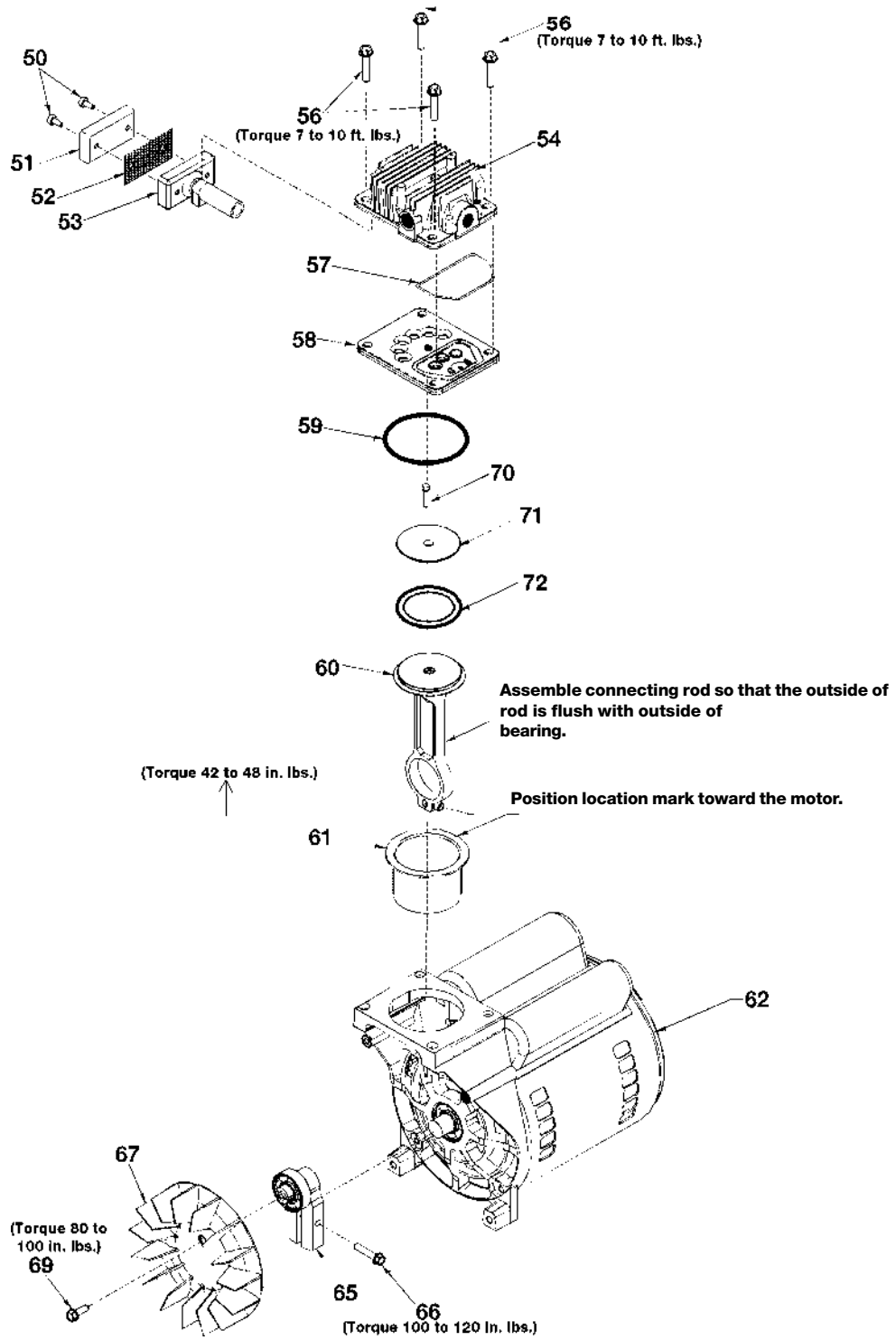
FB5025



FB5025 (cont'd)

KEY NO.	PART NUMBER	DESCRIPTION
1	AC-0564	Handle
2	AC-0009-1	Gauge, RT Hand
3	H-2101	Adaptor
4	AC-0010-1	Gauge, LT Hand
5	AC-0007	Regulator
6	SSP-480	Nipple, 1/4 x 2.5"
7	AC-0565	Pressure Switch Assembly
8	SSF-1001-1	Ground Screw (2 used)
9	CAC-1392	Strain Relief
10	SSF-556	Screw, 10-32 x 1
12	-----	(Order Key #7)
13	AC-0568	Outlet Tube
14	SSP-7821-1	Brass Compression Nut
15	SSG-3105	Silicone Sleeve
16	AC-0376	Mini Shroud
17	ACG-408	Fastener Assembly (2 used)
18	91895680	Screw, 1/4-20 x .75 (2 used)
19	ACG-18	Cup, Saddle Mount (2 used)
20	ACG-19	Isolator (3 used)
21	SSF-981	Screw (4 used)
22	SSF-8080-ZN	Nut, Hex 3/8-16 unc - 2B (2 used)
23	AC-0014	Wheel - 9" (2 used)
24	CAC-60	Shoulder Bolt (2 used)
25	SS-2707	Drain Valve
26	SUDL-6-1	Strip, Rubber Foot
28	AC-0631	Check Valve
29	SSP-7813	Nut/Sleeve Assy. 3/8"
30	97503734	Safety Valve
31	AC-0645	Pressure Relief Tube
32	SSP-7811	Nut Sleeve Assy.
33	AC-0027-2	Manifold
34	SUDL-413-2	Cord Assembly
	<u>NOT SHOWN</u>	
	DAC-161	Shim (FBC5025)

FB5025 (cont'd)



FB5025 (cont'd)

<u>KEY NO.</u>	<u>PART NUMBER</u>	<u>DESCRIPTION</u>
+ 50	---	Air filter fastener (2 used)
+ 51	DAC-143	Air filter
+ 52	---	Muffler screen
+ 53	---	Intake muffler
54	AC-0037	Head
56	SSF-927	Screw 1/4-20 x 1 1/4" (4 used)
*✓ 57	ACG-45	O-Ring
58	AC-0032	Valve plate assembly (includes valves, restrictors & screws)
*✓ 59	SSG-8156	O-ring
* 60	---	Connecting rod assembly
*✓ 61	---	Cylinder sleeve (position locating mark toward motor)
62	M0-9075	Motor
65	AC-0140	Eccentric Flywheel Bearing Assy.
66	SSF-615	Screw (1/4-20 unc-2A)
67	AC-0108	Fan
69	SSF-586	Screw (1/4-20 unc x .75)
*✓ 70	SSF-3158-1	Screw 10-24 X .75 T25 Torx
* 71	---	Connecting Rod Cap
*✓ 72	---	Compression Ring

NOT ILLUSTRATED

MG2-OFTANK-4A	General Manual
MP2-FB5025C	Parts Manual

- + KK-4981 (also includes Key Nos. 50, 51, 52, 53)
- * KK-4835 piston/cylinder kit (also includes Key Nos. 57, 59, 60, 61, 70, 71, 72)
- ✓ K-0058 cylinder sleeve/compression ring kit (also includes 57, 59, 61, 70, 72)