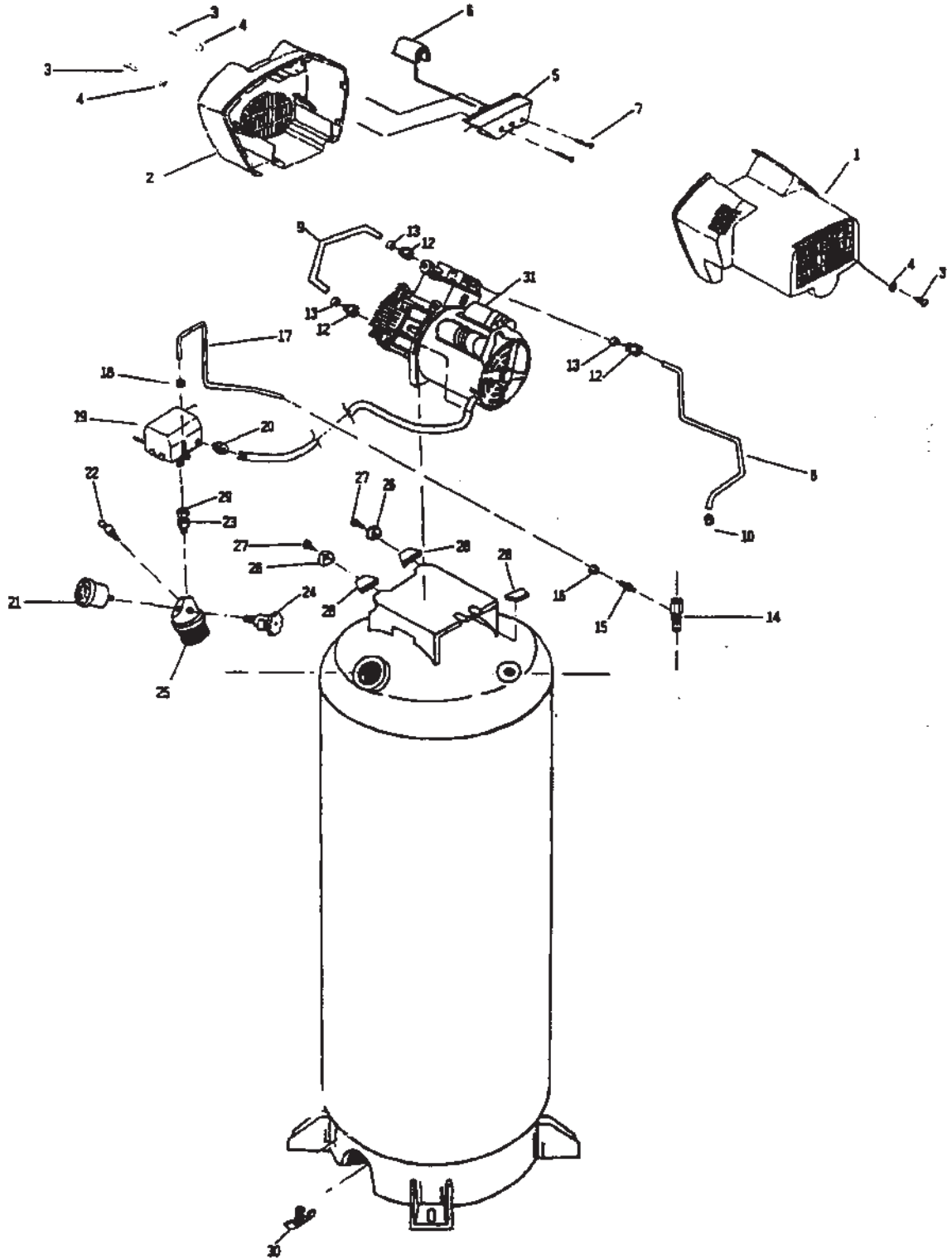


# FTV660V-2



# FTV660-2

<b>KEY NO.</b>	<b>PART NUMBER</b>	<b>DESCRIPTION</b>
1	DAC-243	Shroud, Rear
2	DAC-244	Shroud, Front
3	SSF-553	Screw, #10-24x9/16 Pan HD (3 used)
4	SSG-3102	O-ring (3 used)
5	ACG-13	Cover, Intake Muffler
6	ACG-12	Filter, Intake
7	SSF-554	Screw, #10-14 x 2 1/2 Pan HD (2 used)
8	ACG-42	Tube, Outlet 60 Gal left
9	ACG-41	Tube, Outlet 60 Gal right
10	SSP-476	Tee, 1/2" x 3/8" NPT
11	SSP-7812	Nut-Sleeve Assembly 1/2" (2 used)
12	SSF-550	Nut, Compression for .50" (2 used)
13	CAC-1369	Sleeve, Silicone for .50" (2 used)
14	CAC-4290-3	Check Valve
15	SS-8553	Connector Body
16	SSP-7811	Nut-Sleeve Assembly 1/4"
17	ACG-58	Pressure Relief Tube
18	SSP-7811	Nut-Sleeve Assembly 1/4"
19	CAC-4221-2	Pressure Switch 100/125
20	SSW-7367	Strain Relief Bushing
21	GA-360	Gauge
22	TIA-4150	Safety Valve
23	DAC-294	Adaptor Union
24	SSV-6	Valve, Truck (Globe)
25	CAC-1355	Manifold (2" NPT)
26	ACG-18	Saddle Mount Cup (2 used)
27	SSF-990	Screw, 1/4-20 x .75 (2 used)
28	ACG-19	Isolator (3 used)
29	DAC-296	Swivel Nut
30	SS-2707	Drain Valve
* 31	AC-0102	Pump Assembly

## **NOT ILLUSTRATED**

KK-4315	Pressure Release Valve Kit
MG7-OFTWIN	General Manual
MP7-FTV660V-2	Parts Manual

\* Refer to pump breakdowns