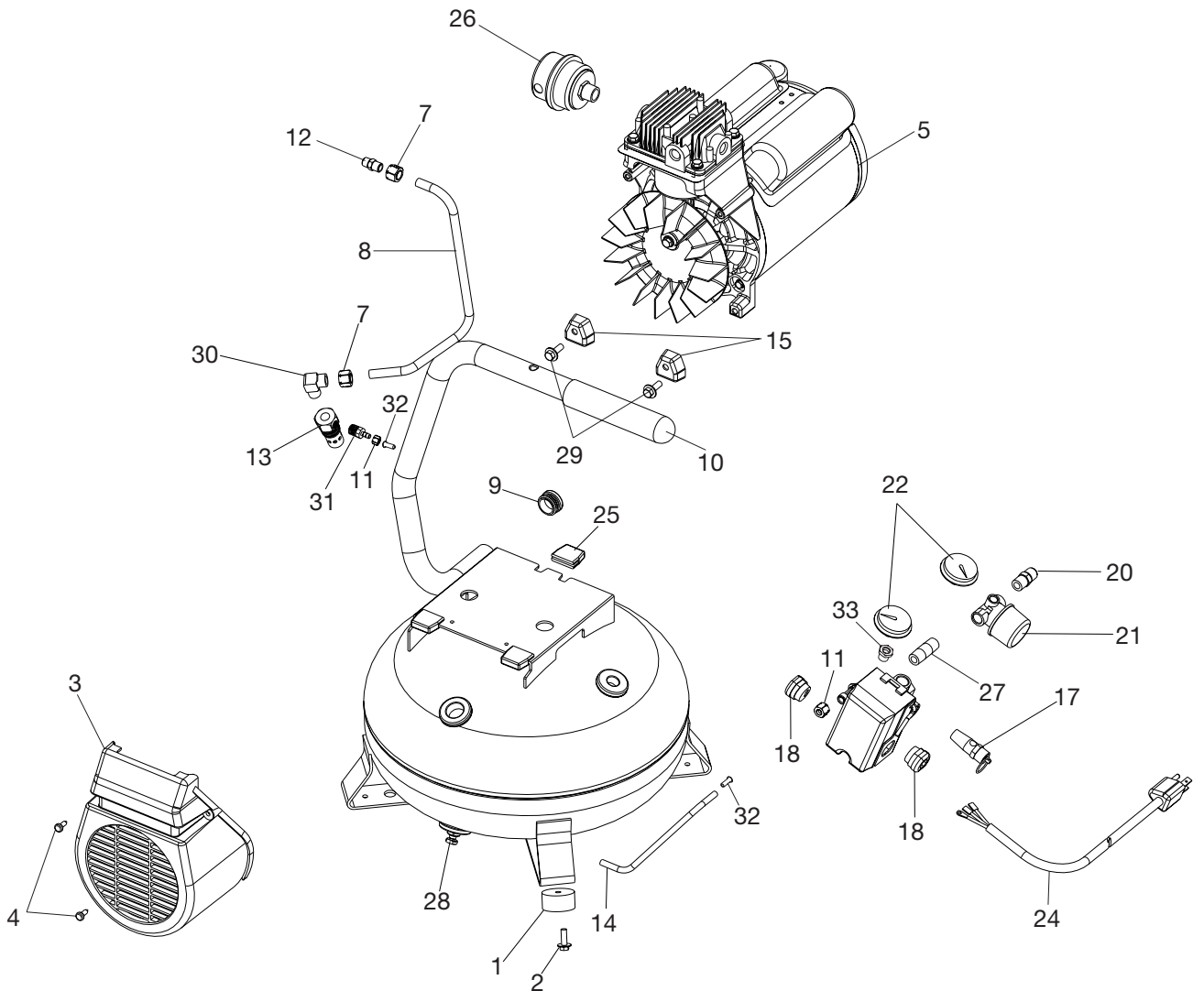


# PF22X4

KEY NO.	TORQUE
29	95 to 105 in. lbs.

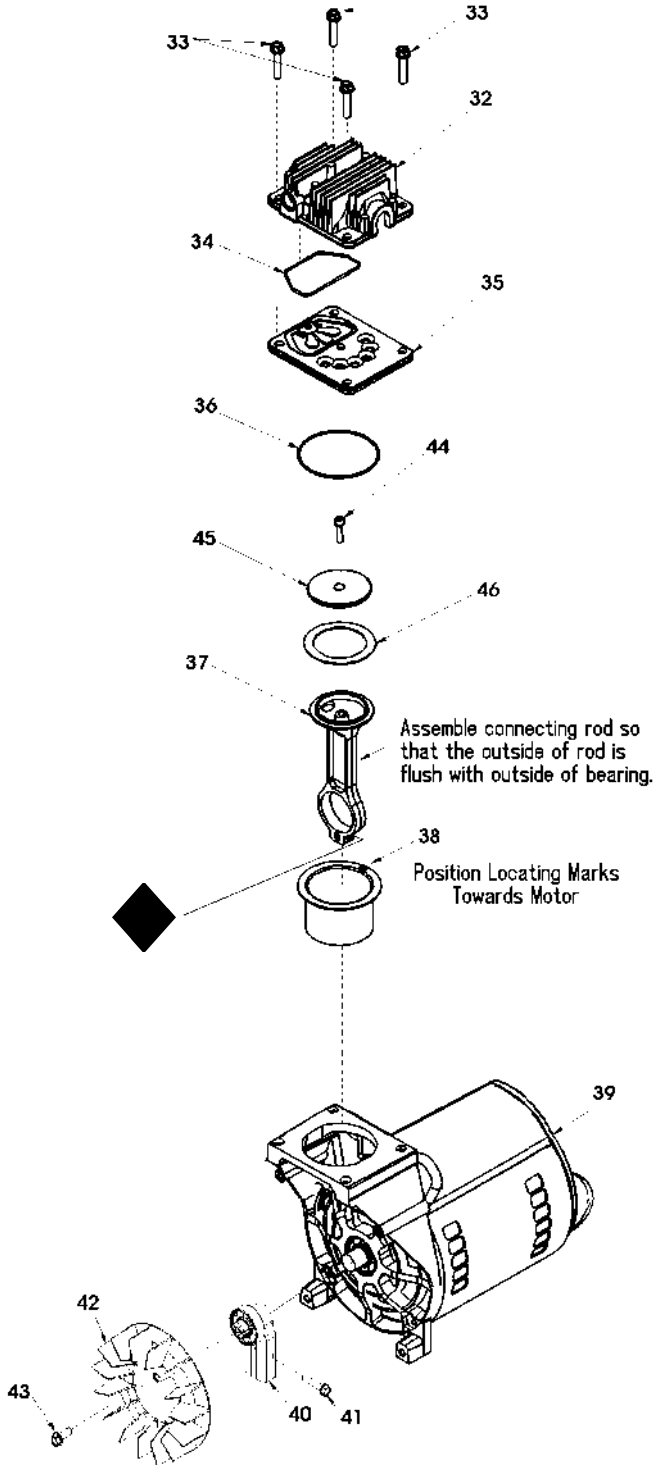


# PF22X4 (cont'd)

<u>Key No.</u>	<u>Part No.</u>	<u>Description</u>
1	SST-5314-1	Rubber Recess Bumper
2	91895680	Screw 1/4"-20 x .75
3	AC-0376	Mini Shroud
4	ACG-408	Fastener Assy.
5	-----	Pump Assembly
7	SSP-7813	Nut Sleeve Assy. 3/8"
8	AC-0620	Outlet Tube
9	AC-0270	Pry Out Plug
10	AC-0261	Handle Grip
11	SSP-7811	Nut Sleeve Assy. 1/4" (2 used)
12	SSP-6050	Connector Body
13	AC-0621	Check Valve
14	CAC-1085-1	Pressure Relief Tube
15	ACG-18	Saddle Mount Cup
16	SSP-480	Nipple 1/4"-18 NPT x 2.50
17	TIA-4150	Safety Valve
18	SSW-7367	Strain Relief Bushing
20	H-2099	Adapter 1/4 NPT x 1/4 NPSM
21	CAC-4296-1	Regulator
22	Z-GA-352	Gauge
23	Z-AC-0197-4	Pressure Switch
24	SUDL-403-1	Power Cord Assy.
25	ACG-19	Isolator
26	AC-0253	Filter
27	SS-1286	Nipple 1/4"-18 NPT
28	AC-0430	Drain Valve
29	91895680	Screw 1/4" -20 x .75
30	SSP-6429	Compression Elbow
31	SS-8553	Connector Body
32	SSP-9013	Brass Insert (2 used)
33	SSP-6021	Reducer Bushing

# PF22X4 (cont'd)

KEY NO.	TORQUE
33	7 to 10 Ft. Lbs.
41	100 to 120 In. Lbs.
43	80 to 100 In. Lbs.
◆	42 to 48 In. Lbs.



# PF22X4 (cont'd)

<b>KEY</b>	<b>NO.</b>	<b>PART NUMBER</b>	<b>DESCRIPTION</b>
	32	AC-0236	Head
	33	SSF-927	Screw 1/4-20 x 1 1/4"
*✓	34	ACG-45	O-Ring
	35	Z-AC-0032	Valve plate assembly (includes valves, restrictors & screws)
*✓	36	SSG-8156	O-ring
*	37	---	Connecting rod assembly
*✓	38	---	Cylinder sleeve (position locating mark toward motor)
	39	Z-M0-9075	Motor
	40	AC-0140	Eccentric Flywheel Bearing Assy.
	41	SSF-615	Screw 1/4-20 unc-2A
	42	AC-0108	Fan
	43	SSF-586	Screw 1/4-20 unc x .75
*✓	44	SSF-3158-1	Screw 10-24 X .75 T25 Torx
*	45	---	Connecting Rod Cap
*✓	46	---	Compression Ring

## **NOT ILLUSTRATED**

AC-0285	Filter Element Replacement
MG2-OFTANK-4A	Owners Manual
D21557	Parts Manual

\* Keys 34, 36, 37, 38, 44, 45, and 46 are purchased as part of KK-4835 piston/cylinder kit.

✓ Keys 34, 36, 38, 44 and 46 can be purchased as part of K-0058 cylinder sleeve/compression ring kit.