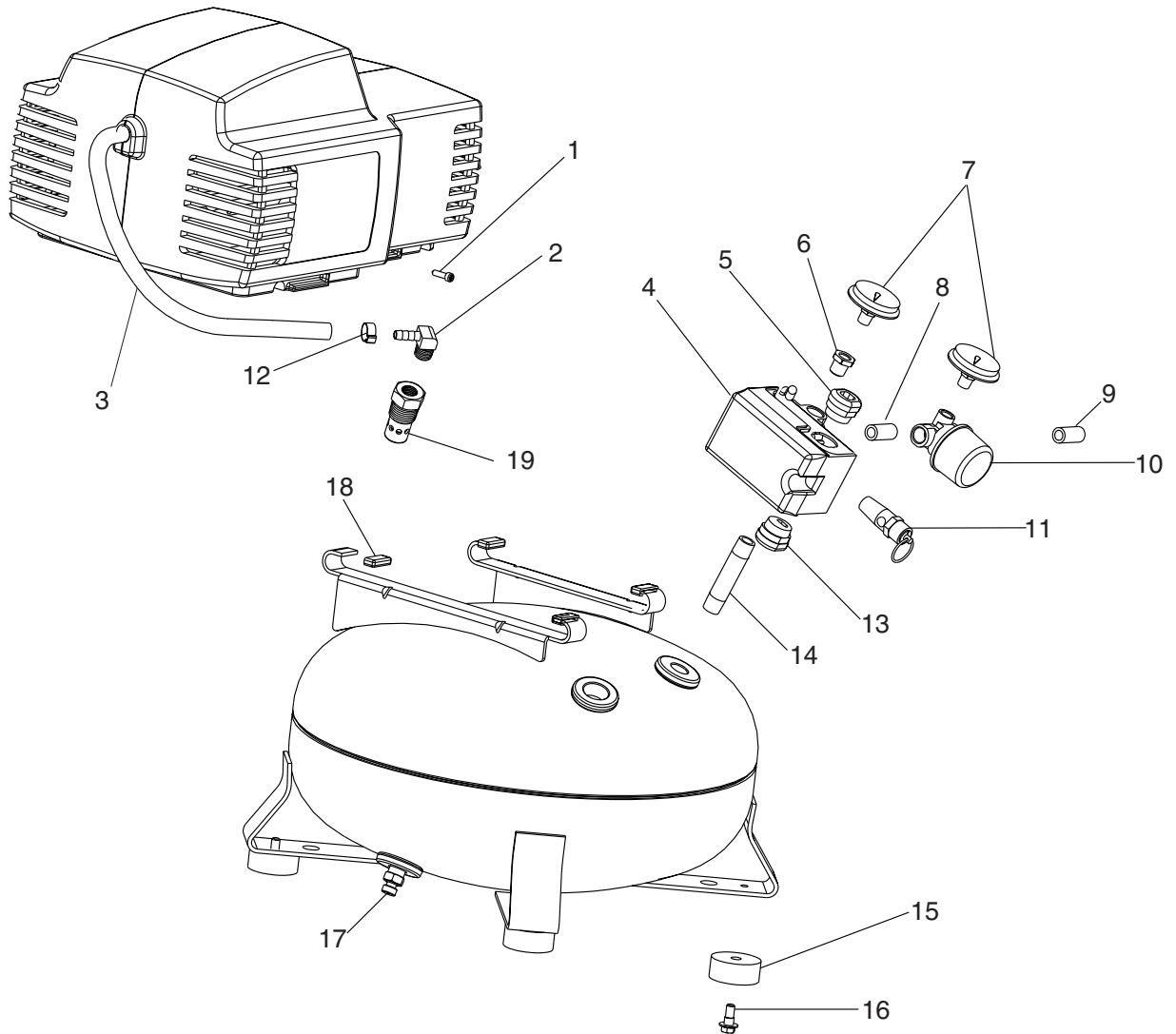


PFA2X4-3

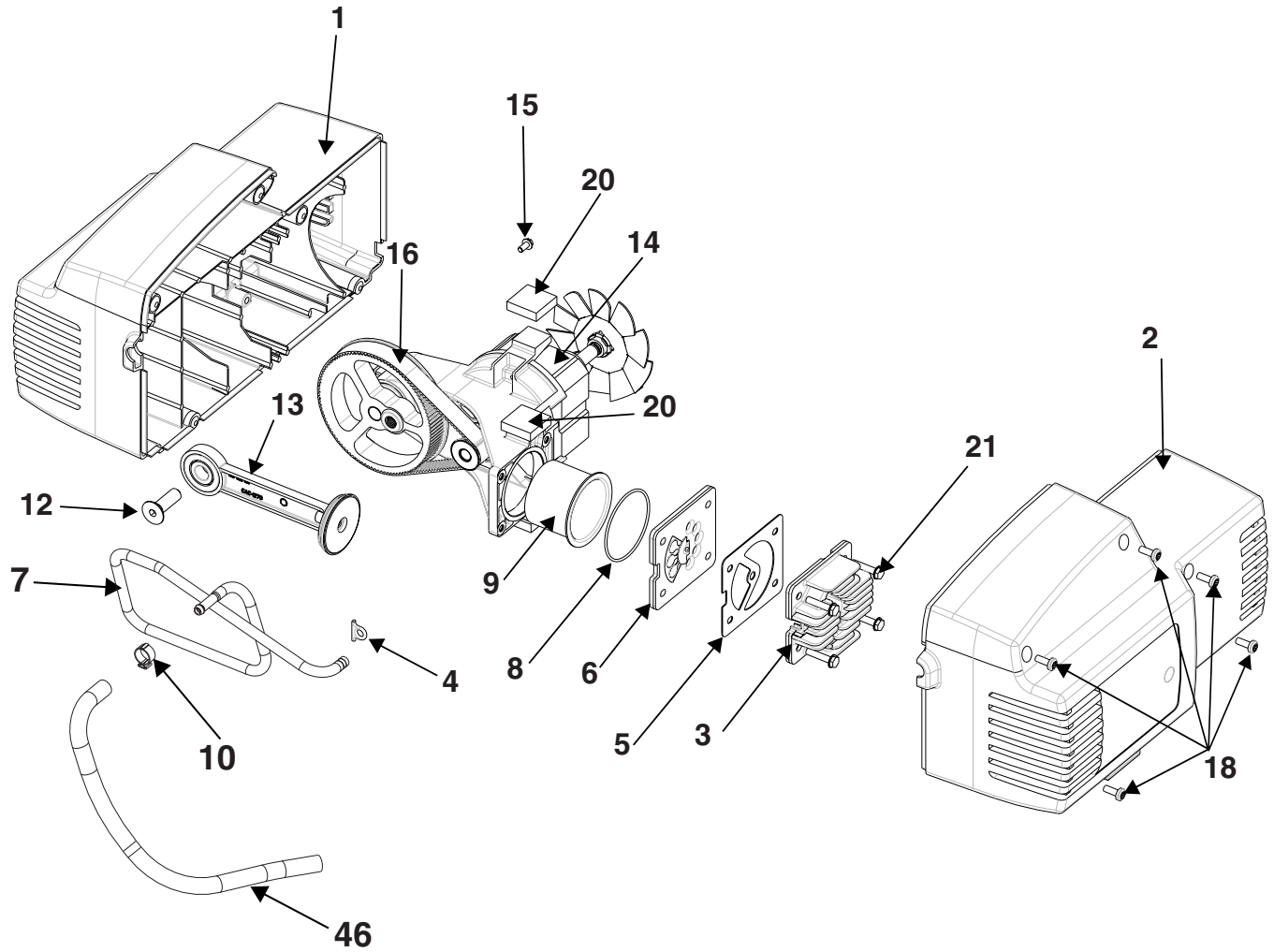


PFA2X4-3 (cont'd)

Key

<u>No.</u>	<u>Part Number</u>	<u>Description</u>
1	SSF-621	Screw 1/4-14 x .625
2	SSP-537	Fitting 90° elbow hose barb
3	AC-0732	Outlet tube assembly
4	AC-0538-1	Pressure switch
5	SSW-7367	Strain relief bushing
6	SSP-6021	Reducer bushing 1/8-1/4NPT
7	GA-352	Gauge
8	SS-1286	Nipple close 1/4-18 NPT
9	H-2099	Adapter 1/4 NPT
10	CAC-4296-1	Regulator
11	TIA-4150	Safety valve
12	CAC-1206-1	Clamp
13	SSW-7480	Strain relief bushing
14	SSP-480	Nipple 1/4-18 NPT x 2.5
15	SST-108	Rubber Bumper
16	91895680	Screw 1/4-20 x .75
17	AC-0430	Drain valve
18	CAC-1254	Pump isolator
19	AC-0547	Check valve

PFA2X4-3 (cont'd)



PFA2X4-3 (cont'd)

Key No.	Part Number	Description
1	AC-0471	Shroud, Left
2	AC-0470	Shroud, Right
3	CAC-1196	Cylinder Head
4	* CAC-1212	Tube Seal
5	* CAC-1199	Gasket Head
6	CAC-4323	Valve Plate Assembly
7	CAC-1194-1	Outlet Tube
8	* SSG-8169	O-ring
9	+ -----	Cylinder Sleeve
10	CAC-1206-1	Clamp
11	AC-0206	Tube Isolator
12	x SSF-3147	Screw, 3/8-16 socket head
13	+ -----	Rod Assembly
14	N/A	Endbell Assembly
15	x SUDL-9-1	Screw, 8-32x .375/.344
16	CAC-1342	Timing Belt
18	SSF-3156	Screw, 10-9x.50Plastite
19	AC-0534-1	Motor Cord
20	* CAC-1213	Pump Isolator (5 used)
21	x SSF-995	Screw #10-24 x 7/8 (4 used)
46	H-7051	Hose, 1/4" ID x 10" long

NOT ILLUSTRATED

MG2-OFTANK-4A Operators Manual
 MP2-PFA2X4 Parts Manual

- * KK-4930 – Isolator Kit includes 4,5,8,20
- + KK-4964 – Connecting Rod Kit includes 9,13
- x KK-4929 – Fastener Kit includes 12,15,21