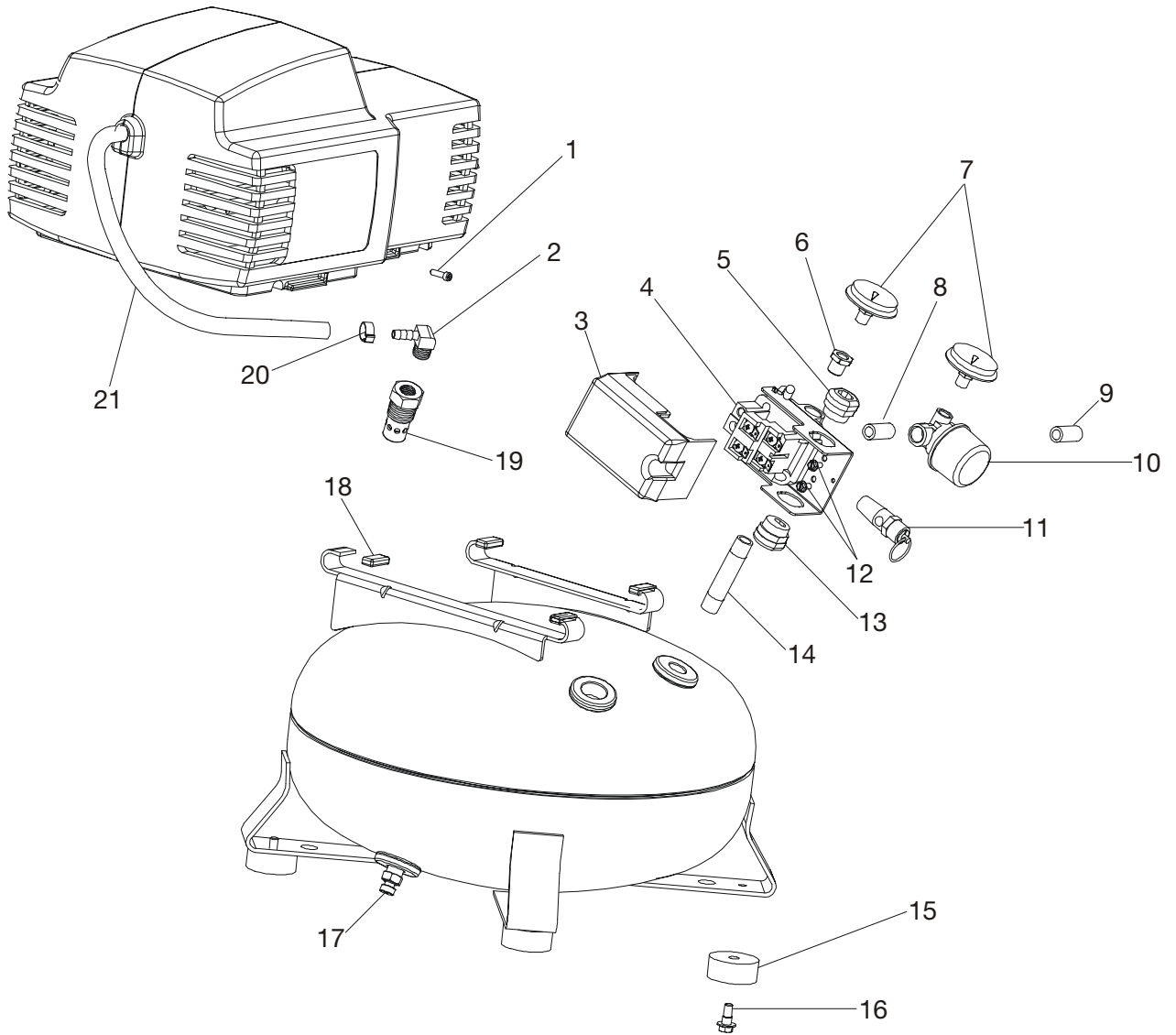


# PFA2X4



# PFA2X4 (cont'd)

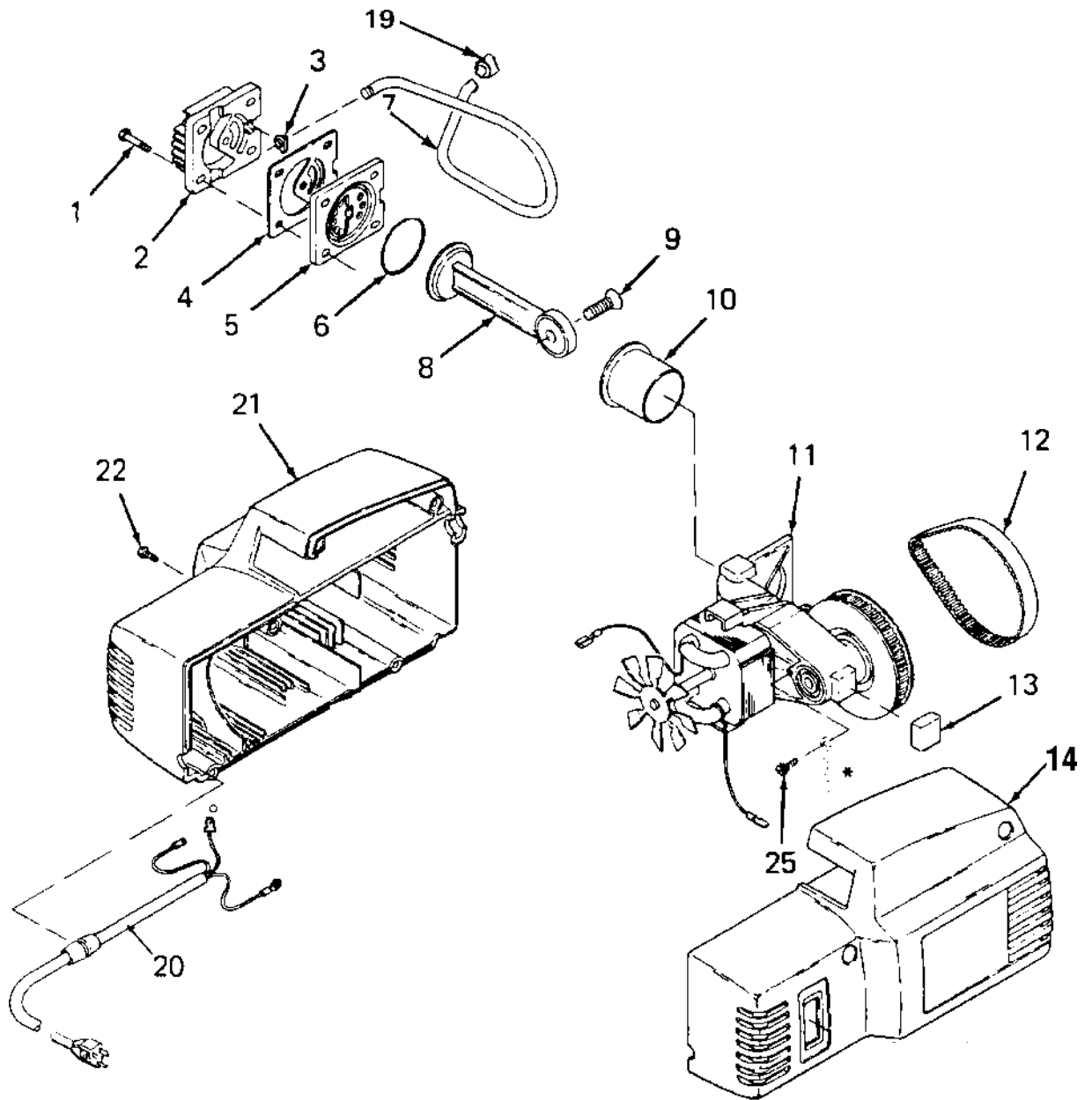
## Key

<b>No.</b>	<b>Part Number</b>	<b>Description</b>
1	SSF-621	Screw 1/4-14 x .625
2	SSP-537	Fitting 90° elbow hose barb
4	AC-0538-1	Pressure switch
5	SSW-7367	Strain relief bushing
6	SSP-6021	Reducer bushing 1/8-1/4NPT
7	GA-352	Gauge
8	SS-1286	Nipple close 1/4-18 NPT
9	H-2099	Adapter 1/4 NPT
10	CAC-4296-1	Regulator
11	TIA-4150	Safety valve
12	SUDL-9-1	Screw 8-32 x .375
13	SSW-7480	Strain relief bushing
14	SSP-480	Nipple 1/4-18 NPT x 2.5
15	SST-108	Rubber Bumper
16	91895680	Screw 1/4-20 x .75
17	AC-0430	Drain valve
18	CAC-1254	Pump isolator
19	AC-0547	Check valve
20	CAC-1206-1	Clamp
21	AC-0732	Outlet tube assembly

## **Not Illustrated**

CAC-1212      Outlet tube seal

# PFA2X4 (cont'd)



# PFA2X4 (cont'd)

<b>KEY NO.</b>	<b>PART NUMBER</b>	<b>DESCRIPTION</b>
X 1	SSF-995	Screw #10-24 x 7/8 LG. hex head thd forming (4 used)
2	CAC-1196	Cylinder head
* 3	CAC-1212	Tube seal
* 4	CAC-1199	Head gasket
5	CAC-4323	Valve plate assembly
* 6	SSG-8169	"O" ring
7	CAC-1194-1	Outlet tube
● 8	-----	Rod assembly
9	SSF-3147	Screw 3/8-16 x 1.25 LG. hex socket flat head
● 10	-----	Cylinder sleeve
11	N/A	Endbell assembly
12	CAC-1342	Timing belt
* 13	CAC-1213	Pump isolator
14	AC-0473	Shroud (right)
---	-----	-----
* 16	CAC-1254	Housing isolator
19	CAC-1206-1	Hose Clamp
20	CAC-0539	Cord assembly
21	AC-0473	Shroud (left)
X 22	SSF-3156	Screw #10-9 x 1/2 LG. Phillips head thd forming (4 used)
X 25	SUDL-9-1	Screws, ground #8-32 x 3/8 LG. Slotted hex head, thd forming

## **NOT SHOWN**

H-7074	1/4" Air Hose
MG2-OFTANK-4A	Operators Manual
MP2-PFA2X4	Parts Manual

\* KK-4930 Isolator Kit includes items 3, 4, 6, 13, 16.

X KK-4929 Fastener Kit includes items 1, 9, 22, 25.

● KK-4964 Connecting Rod Kit includes items 8, 10.