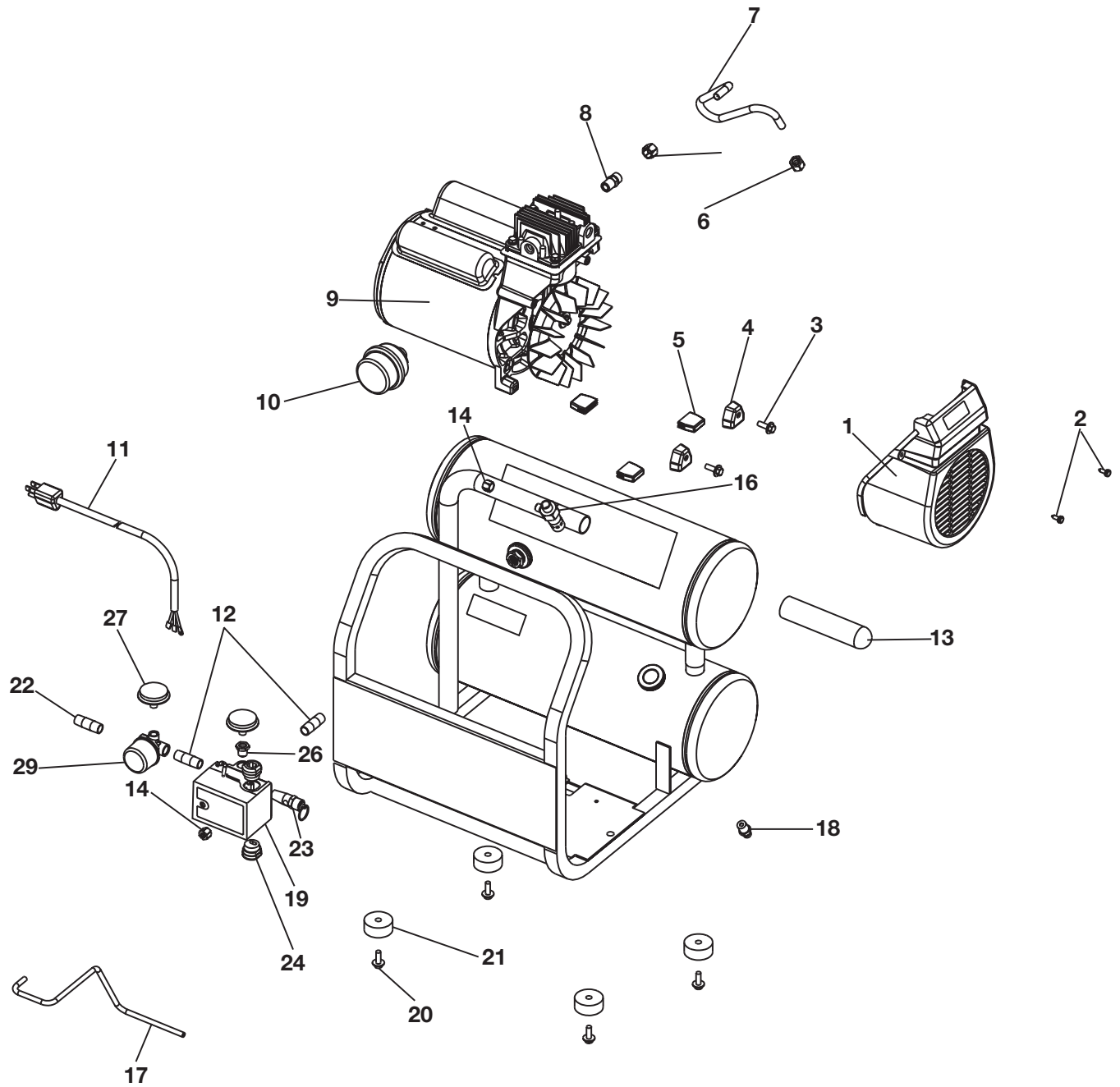


SF22x4



SF22x4 (cont'd)

<u>Key No.</u>	<u>Part No.</u>	<u>Description</u>
1	AC-0376	Mini Shroud
2	SSF-553-1	Screw 10-24 x 9/16 Pan HD
3	91895680	Screw ¼-20 x .75
4	ACG-18	Cup Saddle Mount
5	ACG-19	Isolator
6	AC-0631	Nut Sleeve 3/8
7	AC-0241-1	Outlet Tube
8	SSP-6050	Connector Male ¼ NPT
9	-----	Pump Assembly
10	AC-0253	Filter
11	AC-0539	Power Cord Assembly
12	SSP-513	Nipple ¼ NPT x 1.5
13	AC-0261	Grip Handle
14	SSP-7811	Nut Sleeve ¼
16	AC-0631	Check Valve
17	AC-0240-1	Pressure Relief Tube
18	AC-0430	Drain Valve
19	Z-AC-0197-4	Pressure Switch Assembly
20	91895680	Screw ¼-20 x .75
21	SST-108	Rubber Bumper
22	H-2099	Adapter
23	TIA-4150	Safety Valve
24	SSW-7367	Bushing Strain Relief
26	SSP-6021	Bushing Reducer 1/8-1/4NPT
27	Z-GA-352	Gauge (200 PSI) 1/8" (2 used)
29	DAC-180	Pressure Regulator

NOT ILLUSTRATED

AC-0281 Filter Element Replacement

SF22x4 (cont'd)

KEY NO.	PART NUMBER	DESCRIPTION
32	AC-0236	Head
33	SSF-927	Screw 1/4-20 x 1 1/4"
* ✓ 34	ACG-45	O-Ring
35	Z-AC-0032	Valve plate assembly (includes valves, restrictors & screws)
* ✓ 36	SSG-8156	O-ring
* 37	---	Connecting Rod assembly
* ✓ 38	---	Cylinder sleeve (position locating mark toward motor)
39	MOS-9062	Motor
40	Z-AC-0140	Eccentric Flywheel Bearing Assy.
41	SSF-615	Screw 1/4-20 unc-2A
42	AC-0108	Fan
43	SSF-586	Screw 1/4-20 unc x .75
* ✓ 44	SSF-3158-1	Screw 10-24 X .75 T25 Torx
* 45	---	Connecting Rod Cap
* ✓ 46	---	Compression Ring

NOT ILLUSTRATED

AC-0281	Filter Element Replacement
MG2-OFTANK-4	Owners Manual
D21080	Parts Manual

- * Keys 34, 36, 37, 38, 44, 45, and 46 are purchased as part of KK-4835 piston/cylinder kit.
- ✓ Keys 34, 36, 38, 44 and 46 can be purchased as part of K-0650 cylinder sleeve/compression ring kit.