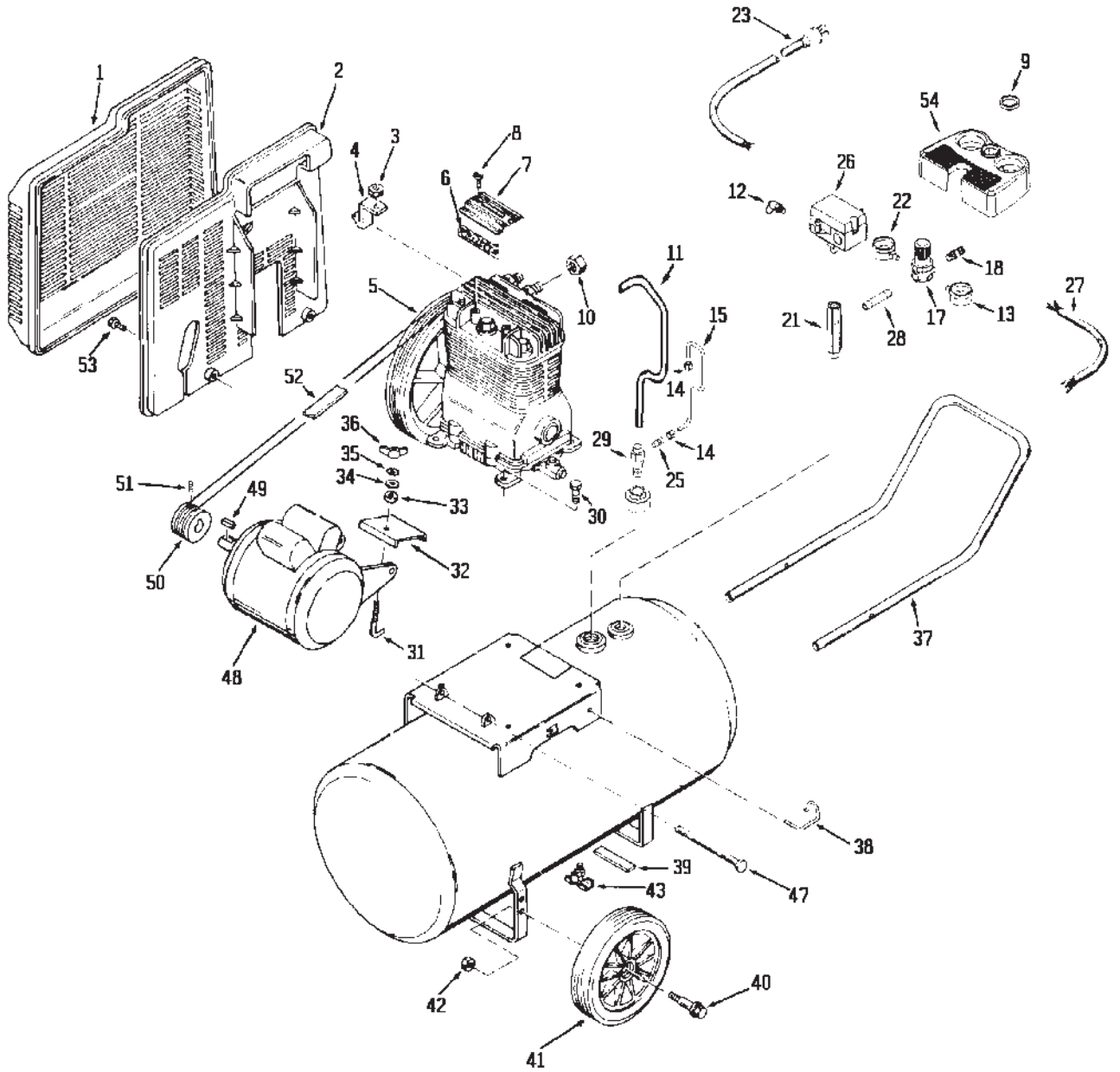


5E30AD-1 5E30AD-2



5E30AD-1

5E30AD-2 (cont'd)

| Key No. | Part Number | Description |
|--------------------|--------------------|--|
| 1 | CAC-322 | Belt guard, outside |
| 2 | CAC-323 | Belt guard, inside |
| 3 | SSF-8113-ZN | Lock nut |
| 4 | CAC-327 | Bracket |
| 5 | CAC-4029 | Compressor Pump Assy. |
| 6 | 265-17 | Intake filter |
| 7 | •265-18 | Filter Retainer |
| 8 | SSF-935 | Screw, #8-32 x 3/8" (2 used) |
| 9 | CAC-61 | Ring, Panel Mounting |
| 10 | SSP-7812 | Nut Sleeve Assy. 1/2" (2 used) |
| 11 | AC-0041 | Outlet Tube |
| 12 | 97503734 | Safety Valve ASME |
| 13 | AC-0010-1 | Gauge, LT Hand |
| 14 | SSP-7811 | Nut Sleeve Assy. 1/4" (2 used) |
| 15 | AC-0028 | Pressure Release Tube |
| 17 | AC-0076 | Pressure Regulator |
| 18 | H-2101 | Adapter |
| 21 | AC-0027-2 | Manifold |
| 22 | AC-0009 | Gauge, RT Hand |
| 23 | SUDL-415-1 | Cord Assembly |
| 25 | SS-8553 | Connector Body |
| 26 | AC-0008-2 | Pressure Switch |
| 27 | CAC-4215-1 | Motor Cord Assembly |
| 28 | SSP-480 | Nipple |
| 29 | CAC-4337-1 | Check Valve |
| 30 | SSF-928 | Screw 5/16"-18 x 7/8" (4 used) |
| 31 | CAC-1013 | Hold-down Screw |
| 32 | CAC-1012 | Hold-down Plate |
| 33 | CAC-1011 | Elastomer Spring |
| 34 | SSN-56-ZN | Washer |
| 35 | SSN-1619-ZN | Lockwasher |
| 36 | SS-2038-ZN | Wing Nut |
| 37 | CAC-320-1 | Handle |
| 38 | CAC-1059 | Retaining Clip (2 used) |
| 39 | SUDL-6-1 | Rubber Foot Strip |
| 40 | CAC-60 | Shoulder Bolt (2 used) |
| 41 | AC-0014 | 9" Wheel (2 used) |
| 42 | SSF-8080-ZN | Nut (2 used) |
| 43 | SS-2707 | Drain cock |
| 47 | CAC-287 | Motor pin |
| 48 | MO-3013-1 | Motor |
| 49 | SUDL-65 | Motor shaft key (3/16" x 3/16" x 1 1/4") |
| 50 | C-PU-2861 | Motor pulley |
| 51 | SS-391 | Set screw |
| 52 | C-BT-223 | Poly-V-Belt, 39" long |
| 53 | SSF-986 | Self-tapping screw (2 used) |
| 54 | AC-0011 | Console Cover |

Not Shown

| | |
|---------------|------------------|
| MG3-OLPORT-3A | Operators Manual |
| MP3-5E30D-2 | Parts Manual |

•See Pumps Tab