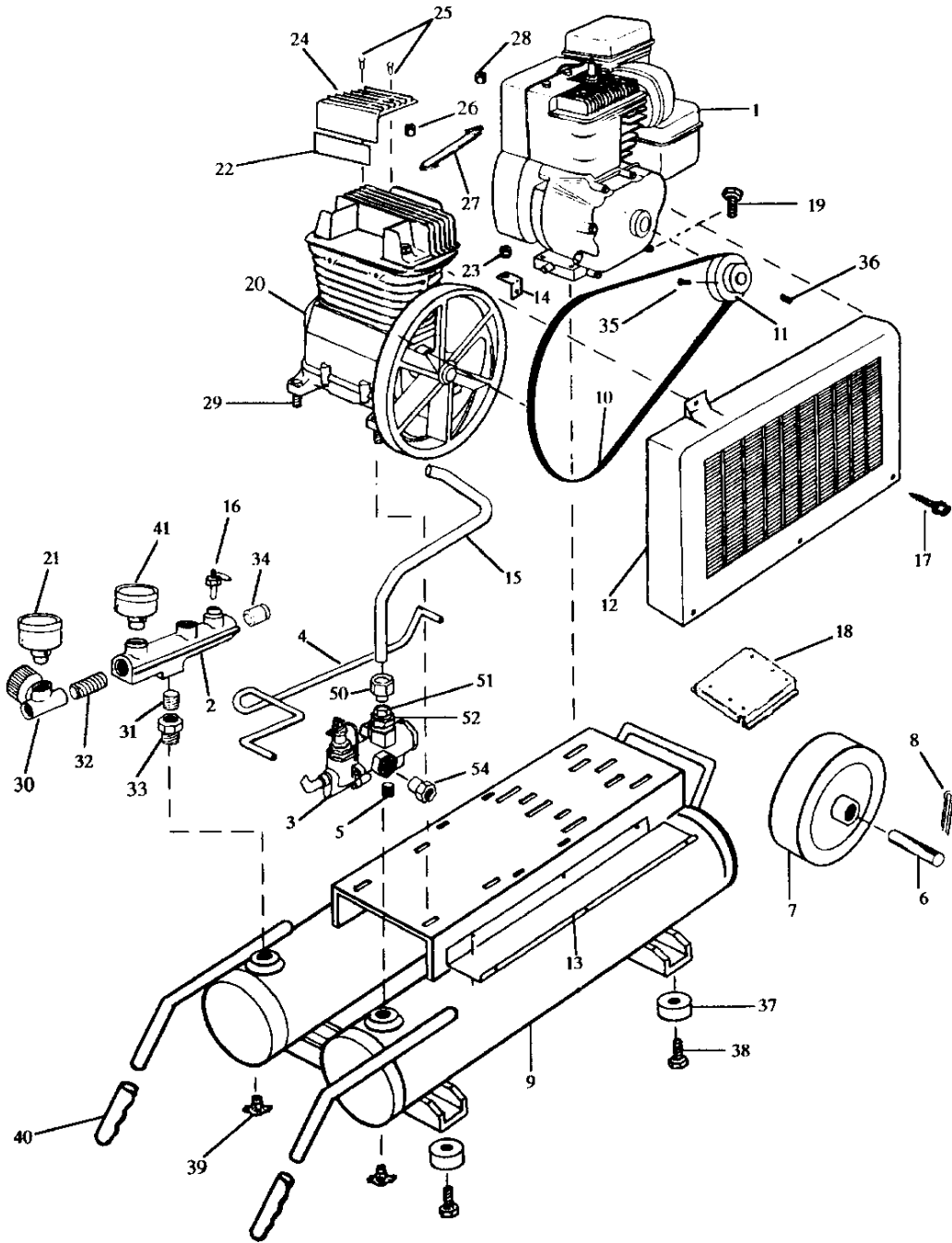


5G8D 5G8D-1



5G8D

5G8D-1 (cont'd)

<u>KEY NO.</u>	<u>PART NUMBER</u>	<u>DESCRIPTION</u>
1	*	Engine, 5HP B&S
2	CAC-95	Manifold
3	DAC-237	Unloader Valve
4	DAC-210	Throttle Control Tube
5	97171037	Nipple
6	DAC-138	Axle
7	DAC-139	Wheel
8	SSN-2405	Cotter Pin (2 used)
9	TA-4238	Tank, 8 Gal.
10	C-BT-215	Belt
11	C-PU-2862	Pulley
12	CAC-87-1	Belt Guard
13	CAC-142	Belt Guard Closure
14	CAC-2	Belt Guard Bracket
15	DAC-203	Outlet Tube
16	TIA-4150	Safety Valve
17	SSF-953-ZN	Screw
18	CAC-42-1	Stiffener Plate
19	SSF-3077	Screw (4 used)
20	●AC-0337	Compressor Assy.
21	GA-369	Gauge
22	265-17	Filter
23	SSF-8113-ZN	Lock Nut
24	CAC-365	Filter Retainer
25	SSF-935	Screw (2 used)
26	SSF-8111-ZN	Lock Nut
27	CAC-103	Stiffener Bar
28	SSF-8150	Lock Nut
29	SSF-928	Screw (4 used)
30	CAC-4296-1	Regulator
31	SS-1287	Nipple
32	SS-1286	Nipple
33	SSP-1142	Reducer
34	SS-3222-CD	Plug
35	SS-391	Set Screw
36	SS-10448	Key
37	SST-5314-1	Rubber Bumper
38	SSF-925	Screw
39	SS-2707	Drain Valve
40	CAC-1244	Handle Grip
41	GA-369	Gauge
50	SSP-7812	Nut-Sleeve Assy. (2 used)
51	SSP-1142	Reducer
52	SS-8553	Connector Body
54	91889832	Orifice
	<u>NOT SHOWN</u>	
	DAC-214	Unloader Tube Clamp (3 used)
	SSF-985-ZN	Screw (6 used)
	MG4-OLENG-2A	Operators Manual
	MP4-5G8D-1	Parts Manual
	MP4-5G8D-2A	Parts Manual

***See Engine Manual**
•See Pumps Tab