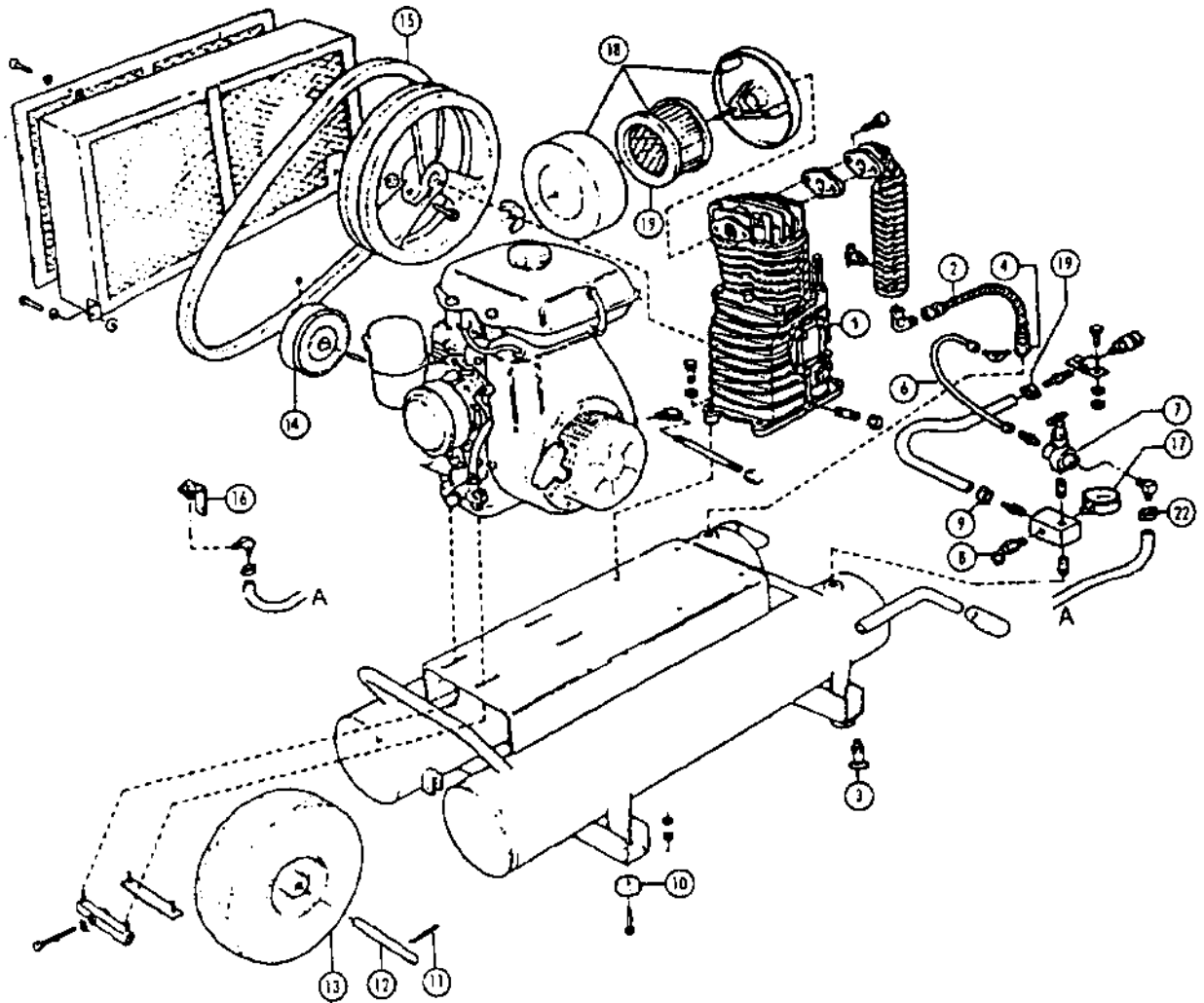


5G8DH



5G8DH (cont'd)

KEY		
<u>NO.</u>	<u>PART NUMBER</u>	<u>DESCRIPTION</u>
1	• ROL-100	PUMP WITHOUT FLYWHEEL
2	ROL-101	OUTLET TUBE WITH FITTINGS
3	ROL-102	DRAIN VALVE
4	ROL-103	CHECK VALVE
5	ROL-104	1/2" HOSE CLAMP
6	ROL-105	1/4" PRESSURE RELIEF TUBE
7	ROL-106	PILOT UNLOADER VALVE
8	ROL-107	SAFETY VALVE
9	ROL-108	5/8" HOSE CLAMPS
10	ROL-109	RUBBER FEET
11	ROL-110	COTTER PIN
12	ROL-111	AXLE
13	ROL-112	PNEUMATIC WHEEL
14	ROL-113	ENGINE PULLEY
15	ROL-114	BELT
16	ROL-117	THROTTLE CONTROL KIT
17	ROL-118	PRESSURE GAUGE
18	ROL-115	FILTER ASSEMBLY
19	ROL-116	FILTER ELEMENT
	<u>Not Shown</u>	
	MGP-5G8DH	Owners Manual

•See Pumps Tab