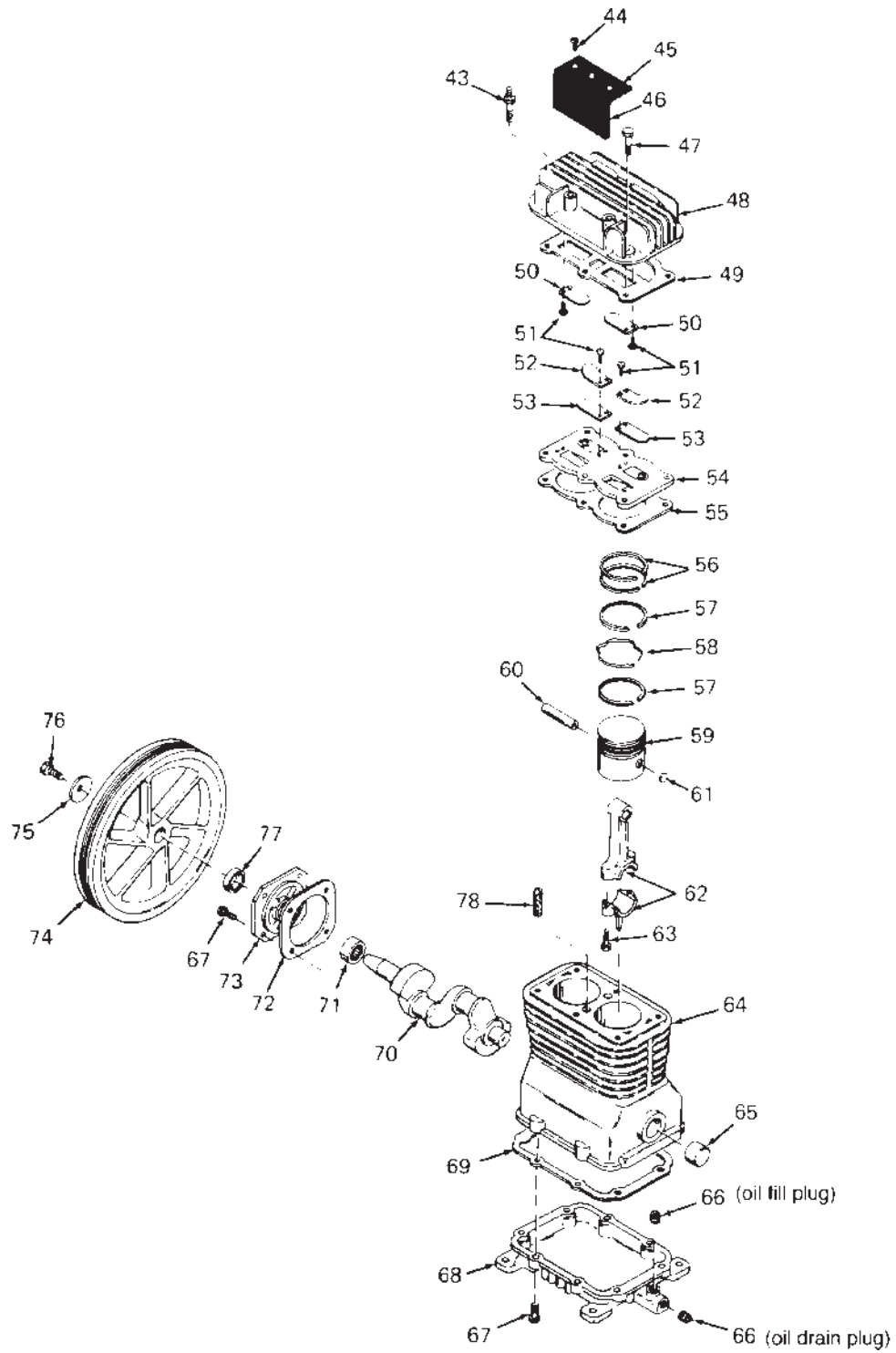
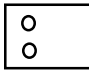
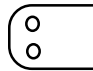


CAC-4029



CAC-4029(cont'd)

KEY	NO.	PART NUMBER	DESCRIPTION
	43	SSF-6627	Stud (2 used)
	44	SSF-935	Screw #8-32 x 3/8" (2 used)
	45	CAC-356	Filter retainer
\	46	KK-4313-2	Filter
	47	SSF-955	Screw 3/8"-16 x 1 1/2" (4 used)
+	48	CAC-4213	Head assy.
\	49	KK-4312-2	Head gasket
+	50	KK-4275	Intake flapper valve (2 used on head) 
+	51	KK-4275	Screw (8 used)
	52	CAC-294	Restrictor plate (2 used)
	53	KK-4275	Flapper valve with corner bevels (2 used on valve plate) 
*	54	CAC-289	Valve plate assy.
*	55	KK-4313-2	Valve plate gasket
*	56	KK-4313	Compression ring (4 used)
	57	KK-4313	Oil ring (4 used)
	58	KK-4313	Oil ring expander (2 used)
	59	CAC-55	Piston (2 used)
	60	265-19	Piston pin (2 used)
	61	CAC-207	Piston pin plug (4 used)
	62	265-410	Connecting rod assembly (2 used) includes two SSF-927 screws
	63	SSF-927	Screw 1/4"-20 x 1 1/8" (4 used)
	64	CAC-51	Crankcase and cylinder
	65	265-41	Needle bearing
	66	SSP-1413	Oil fill/drain plug (2 used) (1/4" NPT)
	67	SSF-925	Cap screw 1/4"-20 x 7/8" (12 used)
	68	265-3	Base
\	69	KK-4313-2	Base gasket
	70	CAC-373	Crankshaft
	71	265-23	Needle bearing
\	72	KK-4313-2	End plate gasket
	73	265-9	End plate
	74	265-2	Flywheel
	75	SSN-1014-ZN	Washer
	76	SSF-3039-ZN	Screw 5/16"-18x3/4"
\	77	KK-4313-2	Oil seal
\	78	KK-4313-2	Vent filter

Parts Ordering Information

*Key No. 56, 57, 58 only available in Ring Kit KK-4313.

>Key No. 19, pressure release valve and nut is available as part of kit KK-4315.

+Key No. 50, 51 and 53 only available in Valve Kit KK-4275.

\ Key No. 46, 49, 55, 69, 72, 77, 78 available only as part of Kit KK-4312-2.