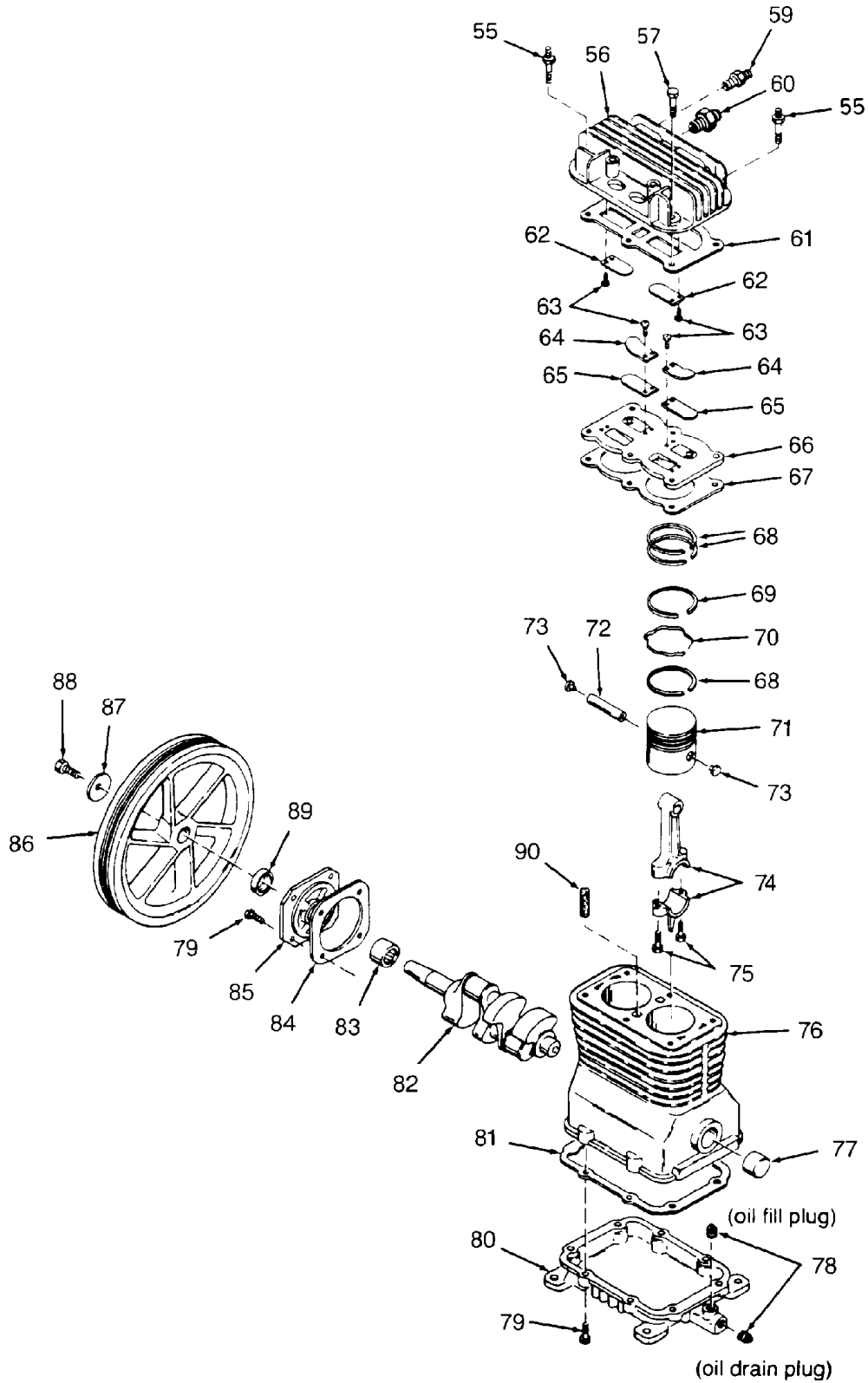
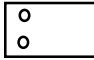
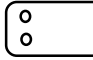


DAC-4086



DAC-4086

<u>KEY NO.</u>	<u>PART NUMBER</u>	<u>DESCRIPTION</u>
55	SSF-6627	Stud 3/8"-16 both ends (1 used)
56	CAC-4213	Head assembly (includes valves and screws)
57	SSF-955	Screw, 3/8"-16 x 1 1/2" (5 used)
59	SS-8553	Connector Body
60	SSP-9401	Adapter
✓ 61	CAC-291-1	Head gasket
● 62	—	Intake flapper valve - square corners  (2 used on head)
● 63	—	Screw #5-40 x 1/4" (8 used)
64	CAC-294	Restrictor plate (2 used)
● 65	—	Exhaust flapper valve - beveled corners  (2 used on valve plate)
66	CAC-4212-1	Valve plate assembly (includes valves, restrictors and screws)
✓ 67	CAC-1265-2	Valve plate gasket
✘ 68	—	Compression ring (4 used)
✘ 69	—	Oil ring (4 used)
✘ 70	—	Oil ring expander (2 used)
71	CAC-55-1	Piston (2 used)
72	265-19	Piston pin (2 used)
73	CAC-207	Piston pin plug (4 used)
74	265-410	Connecting rod assembly (2 used) Includes (2) SSF-927 screws (Key #75)
75	SSF-927	Screw, 1/4-20 x 1 1/8" (4 used)
76	Z-AC-0352	Crankcase and cylinder
77	265-41	Needle bearing
78	SSP-1413	Pipe plug (2 used)
79	SSF-925	Screw, 1/4"-20 x 7/8" (12 used)
80	DAC-276	Base
✓ 81	265-16-1	Base gasket
82	AC-0210-1	Crankshaft
83	265-23	Needle bearing
✓ 84	265-13	End plate gasket
85	265-9	End plate
86	265-2	Flywheel
87	SSN-1014-ZN	Belleville washer
88	SSF-3039-ZN	Cap screw
✓ 89	265-111	Seal
✓ 90	—	Vent filter
		<u>NOT ILLUSTRATED</u>
	KK-4315	Pressure Relief Valve Kit
	SSH-20	Air chuck
	H-7038	Air hose assembly

- ✘ Key No.68, 69 and 70 only available as part of Ring Kit KK-4313.
- ✓ Key No. 6, 61, 67, 81, 84, 89 and 90 available as individual parts or part of Gasket Kit KK-4312-2.
- Key No. 62, 63 and 65 only available in Valve Kit KK-4275.

Recommended Oils - One Stage Compressor Units

Use a compressor oil such as SAE 20-20W SF motor oil. (Crankcase oil capacity is 16 fluid ounces.) Under extreme winter conditions use 10 weight oil. Multiviscosity oil, 10W30, will leave carbon deposits on critical components, reducing performance and compressor life.