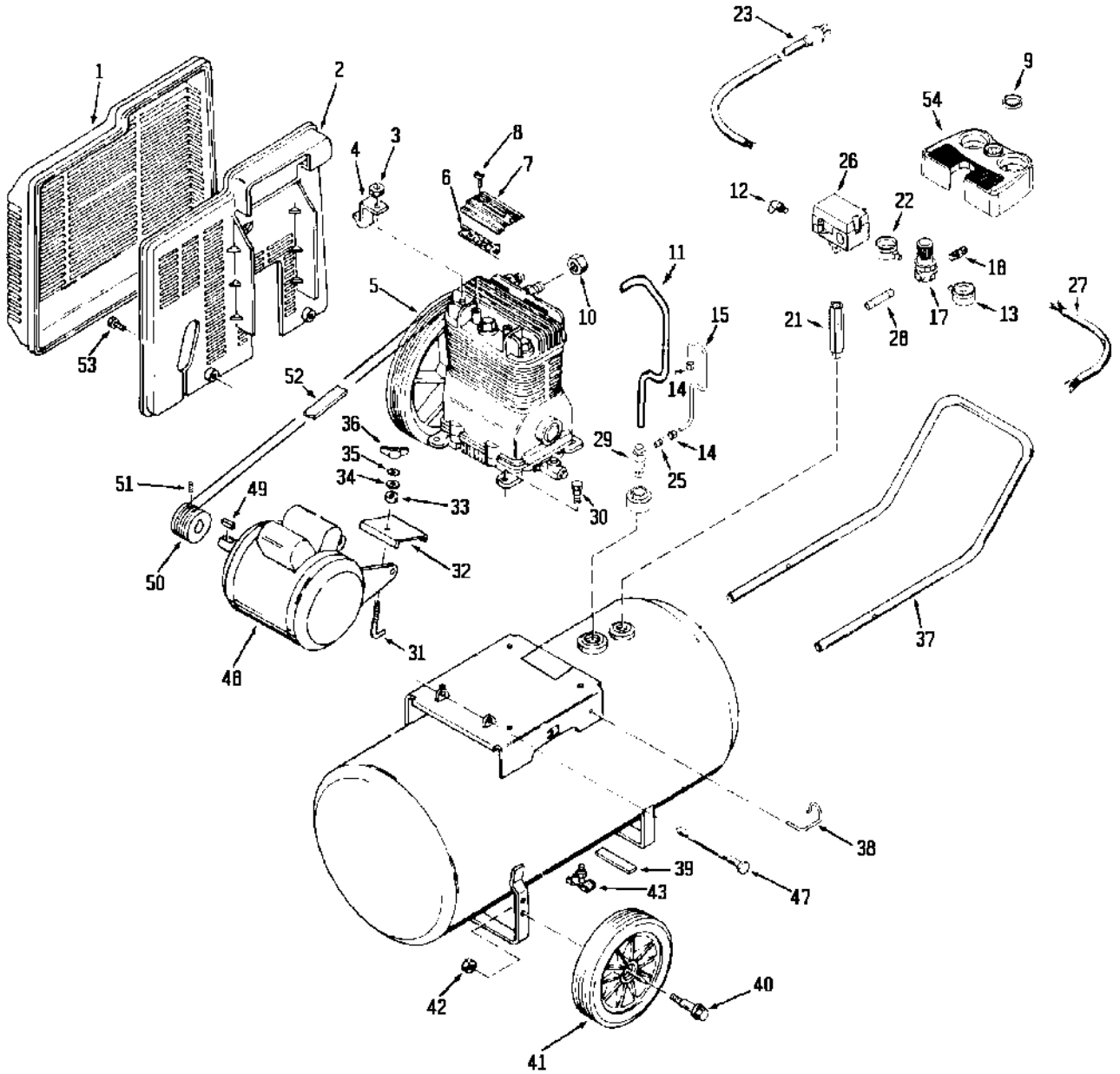


L4520-2



L4520-2 (cont'd)

Key No.	Part Number	Description
1	CAC-322	Belt guard, outside
2	CAC-323	Belt guard, inside
3	SSF-8113-ZN	Lock nut
4	CAC-327	Bracket
5	•AC-0334	Compressor Pump Assy.
6	265-17	Intake filter
7	265-18	Filter Retainer
8	CAC-61	Ring, Panel Mounting
9	SSF-935	Screw, #8-32 x 3/8" (2 used)
10	SSP-7812	Nut Sleeve Assy. 1/2" (2 used)
11	AC-0041	Outlet Tube
12	97503734	Safety Valve ASME
13	AC-0010-1	Gauge, LT Hand
14	SSP-7811	Nut Sleeve Assy. 1/4" (2 used)
15	AC-0028	Pressure Release Tube
17	AC-0076	Pressure Regulator
18	H-2101	Adapter
21	AC-0027-2	Manifold
22	AC-0009-1	Gauge, RT Hand
23	SUDL-413-2	Cord Assembly
25	SS-8553	Connector Body
26	AC-0008-2	Pressure Switch
27	CAC-4215-1	Motor Cord Assembly
28	SSP-480	Nipple
29	CAC-4337-1	Check Valve
30	SSF-928	Screw 5/16" -18 x 7/8" (4 used)
31	CAC-1013	Hold-down Screw
32	CAC-1012	Hold-down Plate
33	CAC-1011	Elastomer Spring
34	SSN-56-ZN	Washer
35	SSN-1619-ZN	Lockwasher
36	SS-2038-ZN	Wing Nut
37	CAC-320-1	Handle
38	CAC-1059	Retaining Clip (2 used)
39	SUDL-6-1	Rubber Foot Strip
40	CAC-60	Shoulder Bolt (2 used)
41	AC-0014	9" Wheel (2 used)
42	SSF-8080-ZN	Nut (2 used)
43	SS-2707	Drain cock
47	CAC-287	Motor pin
48	Z-MO-3019-2	Motor
49	SUDL-65	Motor shaft key (3/16" x 3/16" x 1 1/4")
50	C-PU-2872	Motor pulley
51	SS-391	Set screw
52	C-BT-222	Poly-V-Belt, 39" long
53	SSF-986	Self-tapping screw (2 used)
54	AC-0011	Console Cover

•See Pumps Tab