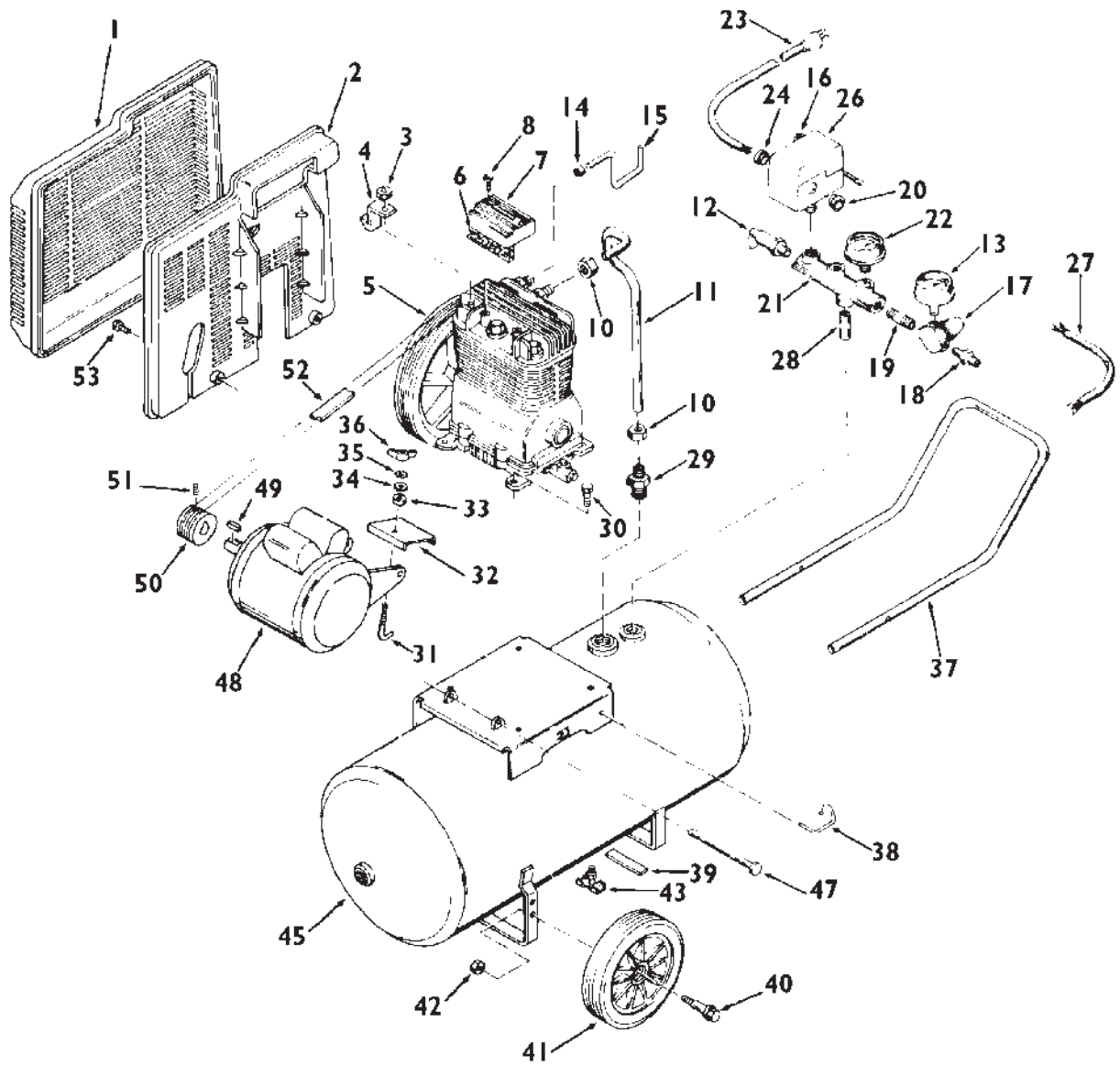


L520-1 LC520



L520-1

LC520 (cont'd)

Key No.	Part Number	Description
1	CAC-322	Belt guard, outside
2	CAC-323	Belt guard, inside
3	SSF-8113-ZN	Lock nut
4	CAC-327	Bracket
5	• CAC-4029	Compressor Pump Assy.
6	265-17	Intake filter
7	265-18	Filter retainer
8	SSF-935	Screw, #8-32 x 3/8" (2 used)
10	SSP-7812	Nut Sleeve Assy. 1/2" (2 used)
11	CAC-1104	Outlet tube
12	TIA-4150	Safety valve ASME
13	C-GA-345	Pressure gauge
14	SSP-7811	Nut Sleeve Assy. 1/4" (2 used)
15	CAC-1330	Pressure release tube
16	KK-5020	Pressure Relief Valve Kit
17	CAC-4296-1	Pressure regulator
18	H-2099	Adapter
19	SS-2071	Nipple
20	SSW-7367	Strain relief
21	CAC-95	Manifold
22	C-GA-346	Gauge
23	DAC-187	Cord Assembly
24	SSW-7385	Strain Relief
26	Z-CAC-4336	Pressure switch
27	CAC-4241-1	Motor cord assembly
28	SS-2072-1	Nipple
29	CAC-437-2	Check valve
30	SSF-928	Screw 5/16"-18 x 7/8" (4 used)
31	CAC-1013	Hold-down screw
32	CAC-1012	Hold-down plate
33	CAC-1011	Elastomer spring
34	SSN-56-ZN	Washer
35	SSN-1619-ZN	Lockwasher
36	SS-2038-ZN	Wing nut
37	CAC-320-1	Handle
38	CAC-1059	Retaining clip (2 used)
39	SUDL-6-1	Rubber foot strip
40	CAC-60	Shoulder bolt (2 used)
41	CAC-4293	8" wheel (2 used)
42	SSF-8080-ZN	Nut (2 used)
43	SS-2707	Drain cock
47	CAC-287	Motor pin
48	Z-MO-3013-1	Motor
49	SUDL-65	Motor shaft key (3/16" x 3/16" x 1 1/4")
50	C-PU-2861	Motor pulley
51	SS-391	Set screw
52	C-BT-223	Poly-V-Belt, 39" long
53	SSF-986	Self-tapping screw (2 used)

Not Shown (L520-1)

MG3-OLPORT-3A
MP3-L520-2

Operators Manual
Parts Manual

Not Shown (LC520)

MG3-OLPORT-3A
MP3-L520-1

Operators Manual
Parts Manual

•See Pumps Tab