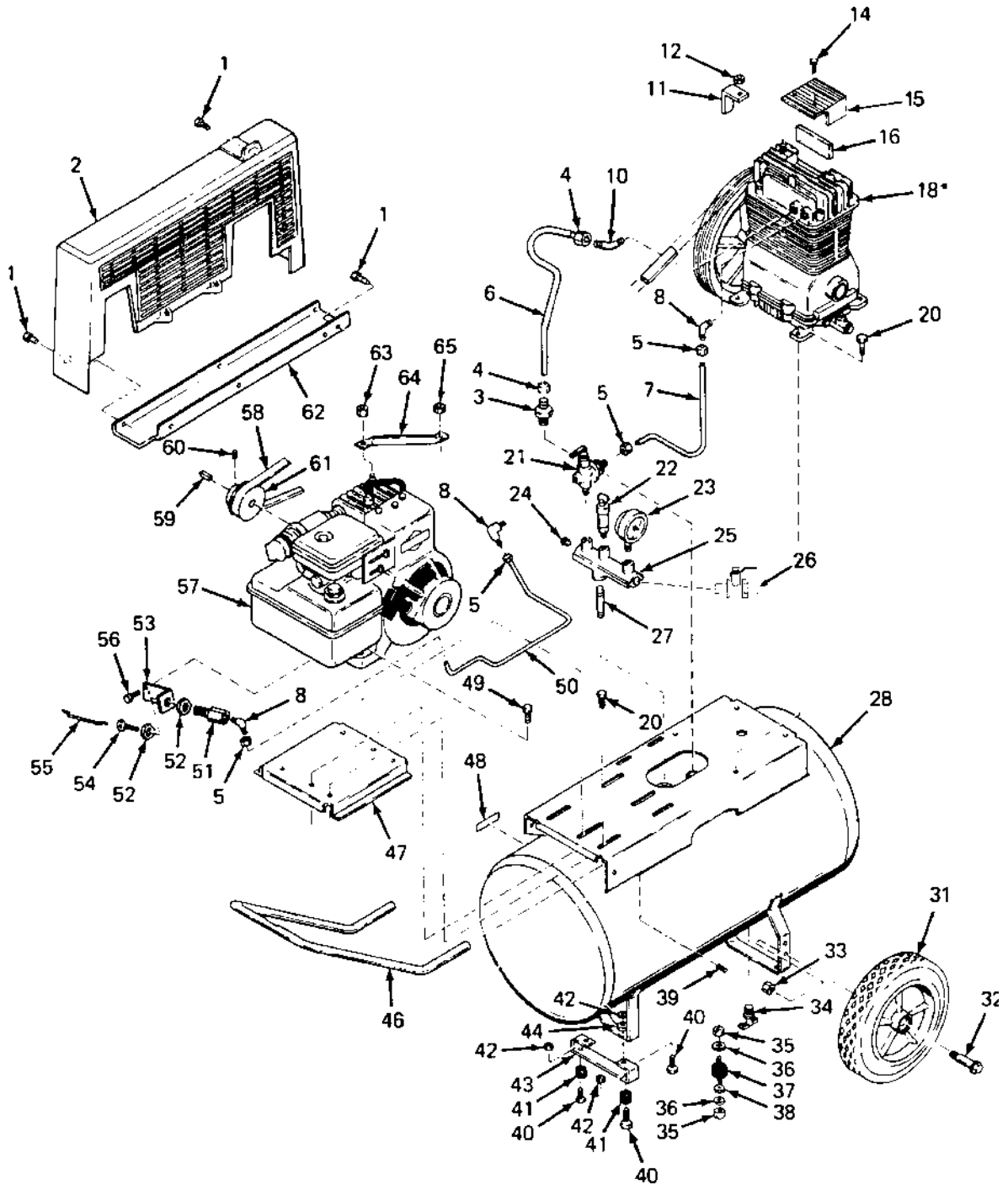


L5G20

L5G20-2, L5G20-3



L5G20

L5G20-2, L5G20-3 (cont'd)

KEY NO.	PART NUMBER	DESCRIPTION
1	SSF-953-ZN	Self tapping screw (7 used)
2	CAC-87-1	Belt guard
3	CAC-437-2	Check valve
4	SSP-7812	Nut-Sleeve Assembly 1/2" (2 used)
5	SSP-7811	Nut-Sleeve Assembly 1/4" (3 used)
6	AC-0675	Outlet tube
7	AC-0676	Pressure release tube
8	SSP-6422	Elbow (3 used)
10	SSP-6423	Elbow
11	CAC-2-1	Bracket
12	SSF-8113-ZN	Lock nut
14	SSF-935	Screw, #8-32 x 3/8" (2 used)
15	265-18	Filter retainer
16	265-17	Intake filter
18	AC-0337	Compressor pump assembly
20	• SSF-928	Screw, 5/16-18 x 7/8" (6 used)
21	CAC-423-1	Unloader valve
22	TIA-4150	Safety valve ASME
23	GA-348	Pressure gauge
24	SS-3222-CD	Pipe plug
25	CAC-226	Manifold
26	SSV-4	Globe valve
27	SS-2110	Nipple
28	SSF-8111-ZN	Lock nut
31	CAC-4293	Wheel, 8" (2 used)
32	CAC-60	Shoulder bolt (2 used)
33	SSF-8080-ZN	Hex nut (2 used)1`
34	SS-2707	Drain cock
35	SS-656-CD	Nut (8 used)
36	SS-1503-CD	Lockwasher (8 used)
37	CAC-165	Vibration mount (4 used)
38	SS-6506-CD	Washer (4 used)
39	SS-391	Set screw
40	SS-2-ZN	Cap screw (4 used)
41	SST-5301	Rubber Bumper (2 used)
42	SS-655-ZN	Hex nut, 1/4-20 (4 used)
43	DAC-159	Foot bracket
44	21181-506	Lockwasher (2 used)
46	SUDL-43-1	Handle
47	CAC-42-1	Stiffener plate
49	SSF-3077	Screw (4 used)
50	AC-0677	Throttle control tube
51	CAC-4275	Air cylinder (includes two #52 and one #54 & #55)
52	----	Jam nut, 9/16"-18 (2 used) -- available in key #51
53	CAC-1036	Throttle bracket
54	----	Throttle screw
55	----	Throttle link
56	----	Self-tapping screw #10-16 x 7/16
57	----	Engine 5 HP (See Engine Manual)
58	C-BT-215	Poly-V Belt
59	SS-10448	Engine shaft key
60	SS-391	Set screw
61	C-PU-2862	Engine pulley
62	CAC-142	Belt guard closure
63	SSF-8150	Nut, Wiz lock
64	CAC-103	Stiffener bar
65	SSF-8150	Lock nut

Not Shown (L5G20)

MG4-OLENG-2B Operators Manual
 MP4-L5G20-1 Parts Manual
 CAC-4011-1 Engine Manual

Not Shown (L5G20-2)

MG4-OLENG-2B Operators Manual
 MP4-L5GB20-3 Parts Manual
 CAC-4011-1 Engine Manual

•See Pumps Tab