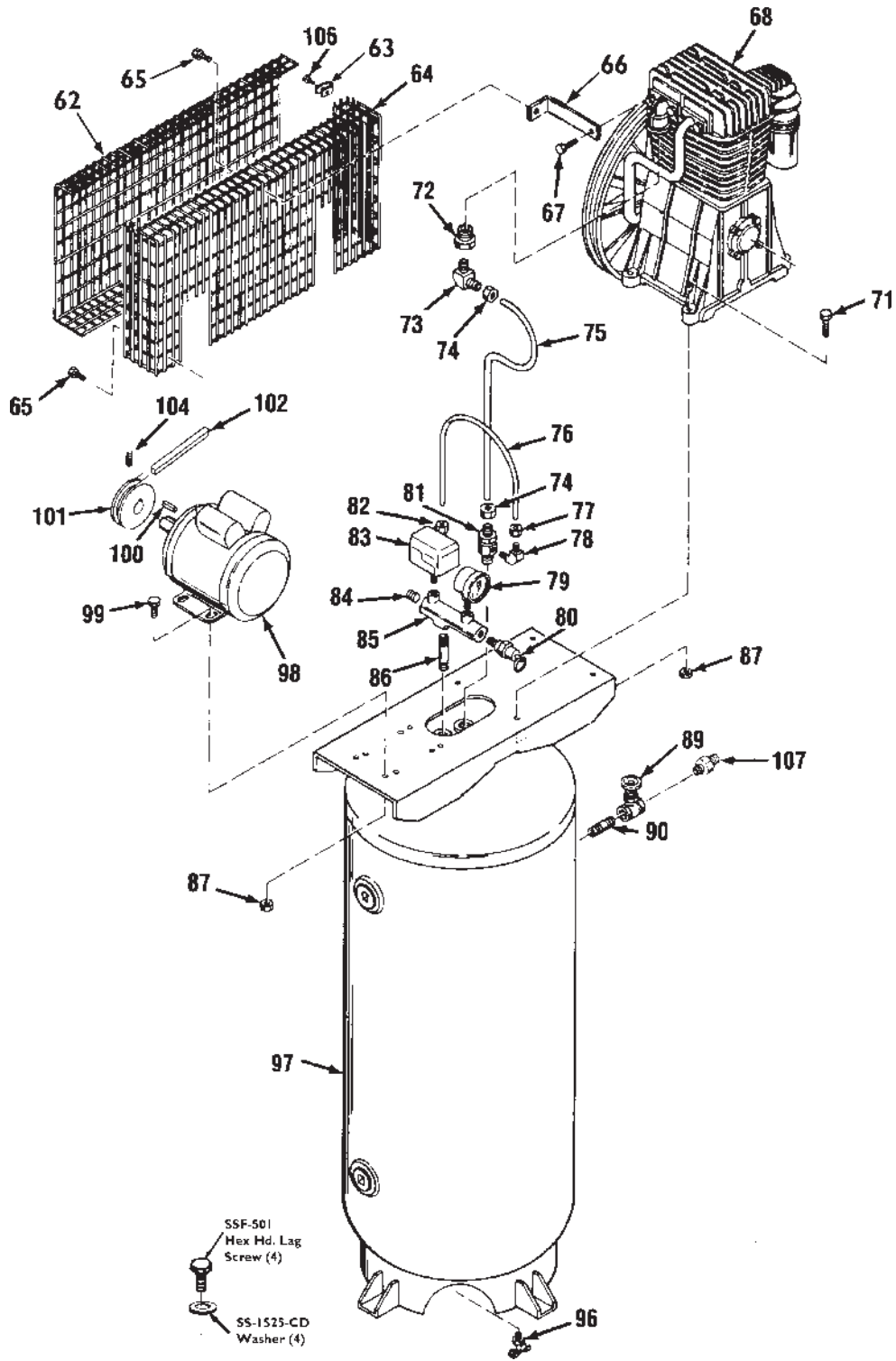


# 5B60V2D



# 5B60V2D (cont'd)

<u>KEY NO.</u>	<u>PART NUMBER</u>	<u>DESCRIPTION</u>
62	CAC-1002	Outside belt guard
63	SSF-8131	Clip (4 used)
64	CAC-1001	Inside belt guard
65	91895680	Self tapping screw (5 used)
66	CAC-1004-2	Guard head bracket
67	ABP-9101254	Screw
68	ABP-446	Compressor pump assembly
71	•SSF-3121-ZN	Cap screw, 5/16"-18 x 1 3/4" (4 used)
72	SS-3721	Shoulder bushing
73	SSP-6423	Elbow
74	SSP-7812	Nut, 1/2" (2 used) Ferrule, 1/2" (2 used)
75	CAC-1007	Outlet tube
76	CAC-1006	Pressure release tube
77	SSP-7811	Nut, 1/4" Ferrule, 1/4"
78	SSP-6422	Elbow
79	GA-348	Pressure gauge
80	TIA-4175	Safety valve, 175 lbs.
81	CAC-4337-1	Check valve
82	KK-4315	Pressure release valve & mounting nut (included with #83)
83	CAC-4222	Pressure switch
84	SS-3222-CD	Pipe plug
85	CAC-95	Manifold
86	SS-2111	Nipple, 3/8" x 3 1/2"
87	SSF-8150	Flange nut (8 used)
89	SSV-1	Globe valve
90	SSP-451	Nipple, 1/2 x 1 1/2"
96	SS-2707	Drain cock valve
97	*	Tank
98	MO-6418	Motor, 5 HP (includes Key No. 100)
99	SSF-3122-ZN	Cap screw, 5/16-18 x 3/4" (4 used)
100	SUDL-65	Motor shaft key (3/16" x 3/16" x 1 1/4")
101	PU-2876	Pulley
102	BT-226	Belt
104	SS-559	Set screw (5/16"-18 x 3/8")
106	SSF-953-ZN	Screw (4 used)
107	CAC-1141	1/2" x 1/4" Reducing Bushing
	<b><u>NOT SHOWN</u></b>	
	KK-4834	Isolator Kit

\*Non-serviceable part

•See Pumps Tab