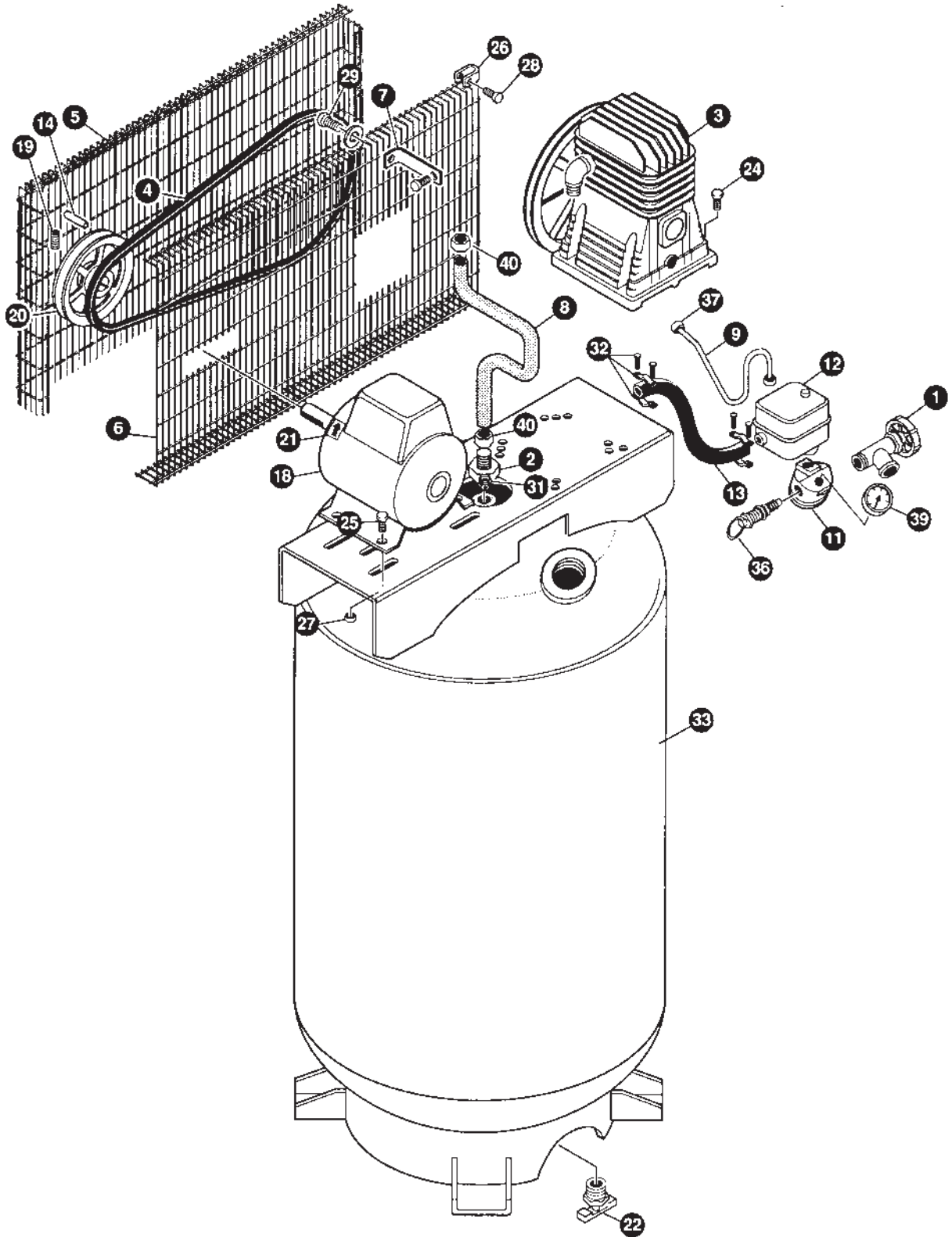


# 5J60V2D



# 5J60V2D (cont'd)

<b>Key</b>		
<b>No.</b>	<b>Part Number</b>	<b>Description</b>
1	SSV-6	Globe Valve
2	CAC-4337-1	Check Valve
3	• ABP-4900	Two-Stage Pump
4	BT-226	Belt
5	AC-0433	Outside Belt Guard
6	AC-0434	Inside Belt Guard
7	CAC-1004-2	Belt Guard Bracket
8	CAC-1359	Outlet Tube
9	CAC-1358	Pressure Relief Tube
11	K-0609	Manifold Replacement Kit
12	Z-DAC-278-2	Pressure Switch
13	-----	Cord
14	SUDL-65	Key
18	MO-6418	Motor
19	SS-559	Set Screw
20	C-PU-2887	Pulley
21	SS-00403	Flywheel Direction Label
22	SS-2707	Drain Valve
24	SSF-3159	Pump Bolt
25	SSF-3122-ZN	Motor Bolt
26	SSF-8131	Speed Nut
27	SSF-8150	Lock Nut
28	SSF-953-ZN	Self Tapping Screw
29	91895680	Screw
31	SS-8553	Male Connector
32	DAC-151	Wire Connector (2 used)
33	*	Tank
36	TIA-4200	Safety Valve
37	SSP-7811	Nut Sleeve Assembly 1/4"
39	GA-360	Gauge
40	SSP-7812	Nut Sleeve Assembly 1/2"

## **NOT SHOWN**

KK-4834 Isolator Kit

***\*Non-serviceable part***

***•See Pumps Tab***