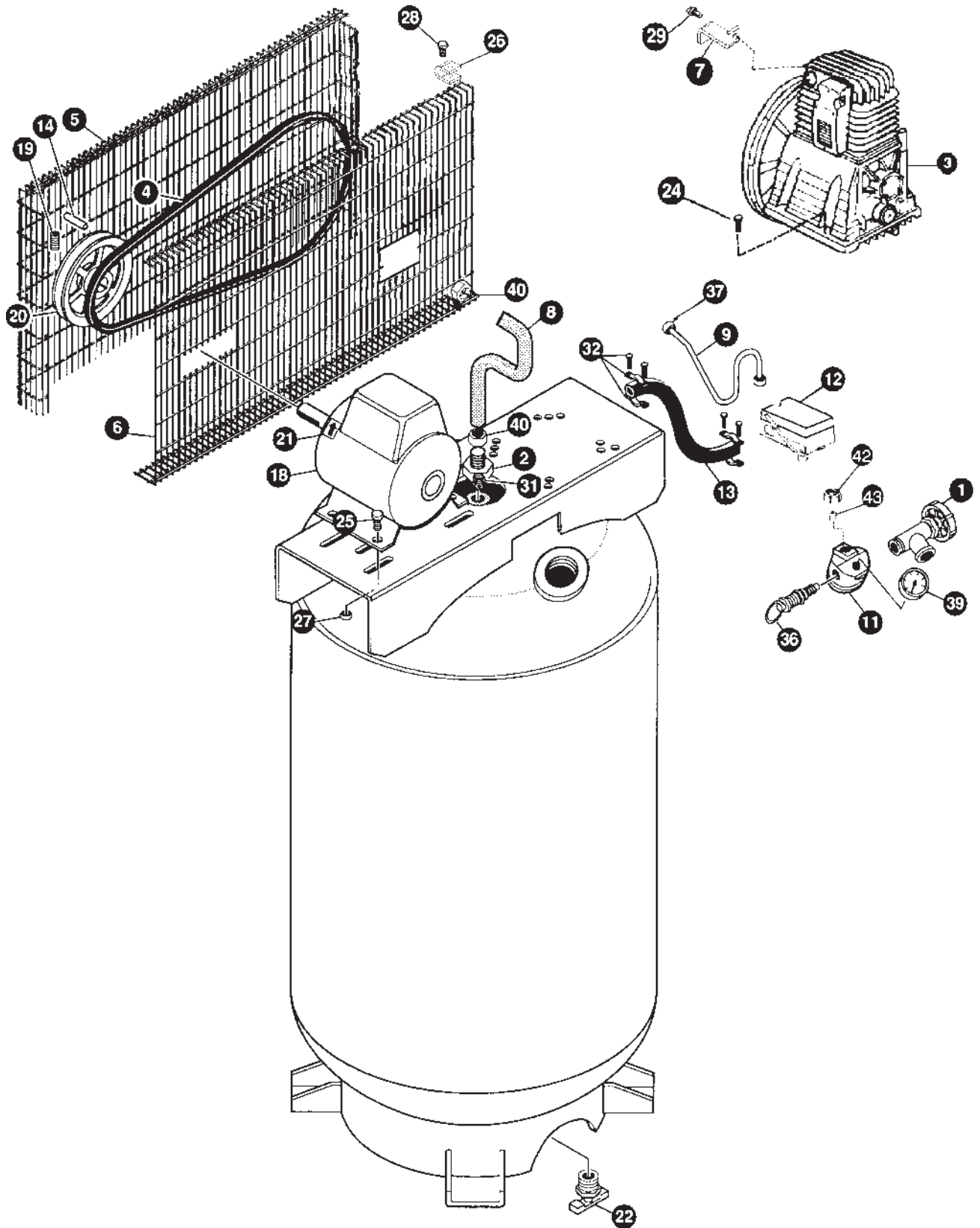


65K80V1D



65K80V1D (cont'd)

Key	Part Number	Description
No.		
1	SSV-6	Globe Valve
2	CAC-4337-1	Check Valve
3	• ABP-459	Two-Stage Pump
4	BT-226	Belt
5	AC-0434	Outside Belt Guard
6	AC-0433	Inside Belt Guard
7	DAC-306	Belt Guard Bracket
8	DAC-299	Outlet Tube
9	DAC-304	Pressure Relief Tube
11	K-0609	Manifold Replacement Kit
12	DAC-278-2	Pressure Switch
13	CAC-4114	Cord - (Motor)
14	SUDL-65	Key
18	MO-9044-1	Motor
19	SS-559	Set Screw
20	PU-2893	Pulley
21	SS-00403	Flywheel Direction Label
22	SS-2707	Drain Valve
24	SSF-3159	Pump Bolt
25	SSF-3140-ZN	Motor Bolt
26	SSF-8131	Speed Nut
27	SSF-8111-ZN	Lock Nut
28	SSF-953-ZN	Self Tapping Screw
29	91895680	Screw
31	SS-8553	Male Connector
32	SSW-7482	Connector (2 used)
36	TIA-4200	Safety Valve
37	SSP-7811	Nut Sleeve Assembly 1/4"
39	GA-360	Gauge
40	SSP-7812	Nut Sleeve Assembly 1/2" (2 used)
42	DAC-296	Swivel Nut
43	DAC-295	Swivel Fitting
	<u>NOT SHOWN</u>	
	KK-4315	Pressure Relief Valve Kit

•See Pumps Tab