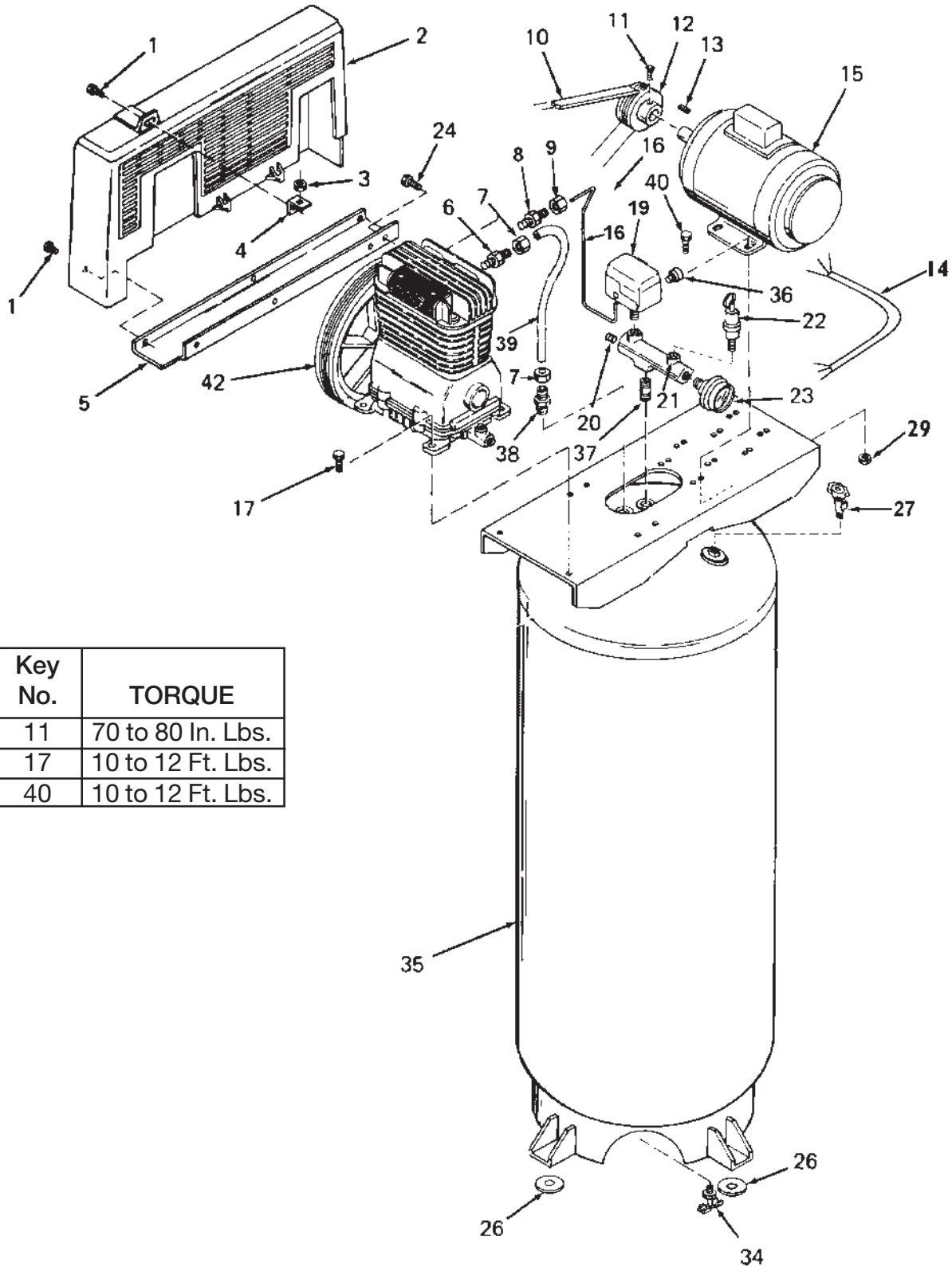


6E60VAD C6E60VAD



Key No.	TORQUE
11	70 to 80 In. Lbs.
17	10 to 12 Ft. Lbs.
40	10 to 12 Ft. Lbs.

6E60VAD

C6E60VAD (cont'd)

KEY

<u>NO.</u>	<u>PART NUMBER</u>	<u>DESCRIPTION</u>
1	SSF-953-ZN	Self Tapping Screw (4 used)
2	CAC-22-2	Belt guard
3	SSF-8113-ZN	Lock nut
4	CAC-2-1	Bracket
5	CAC-362-1	Beltguard closure
6	SSP-9401	Connector
7	SSP-7812	Nut-sleeve assembly (2 used)
8	SS-8553	Connector
9	SSP-7811	Nut-sleeve assembly
10	C-BT-224	Poly-V belt
11	SS-391	Set screw
12	C-PU-2868	Motor pulley
13	SUDL-65	Key 3/16" x 3/16" x 1 1/4"
14	CAC-4205	Cord Assembly
15	MO-3022-1	Motor
16	CAC-1331	Pressure release tube
17	SSF-928	Cap screw 5/16"-18-1" (4 used)
19	CAC-4336	Pressure switch
20	SS-3222-CD	Pipe plug
21	CAC-95	Manifold
22	TIA-4150	Safety valve
23	Z-GA-370	Gauge
24	39124607	Screw (2 used)
26	CAC-1003	Isolator Washer (4 used)
27	SSV-6	Globe valve
29	SSF-8150	Hex Nut
34	SS-2707	Drain valve
35	*	Tank
36	SSW-7367	Strain Relief
37	SS-2110	Nipple
38	CAC-437-2	Check valve
39	CAC-357-1	Outlet tube
40	SSF-3152	Cap screw 5/16"-18 x 3/4" (4 used)
42	CAC-4029	Compressor pump assembly (Includes key no. 43 and 47 thru 78, inclusive) (Replacement pump is AC-0171- See Pumps Tabs)

****Non-serviceable part***