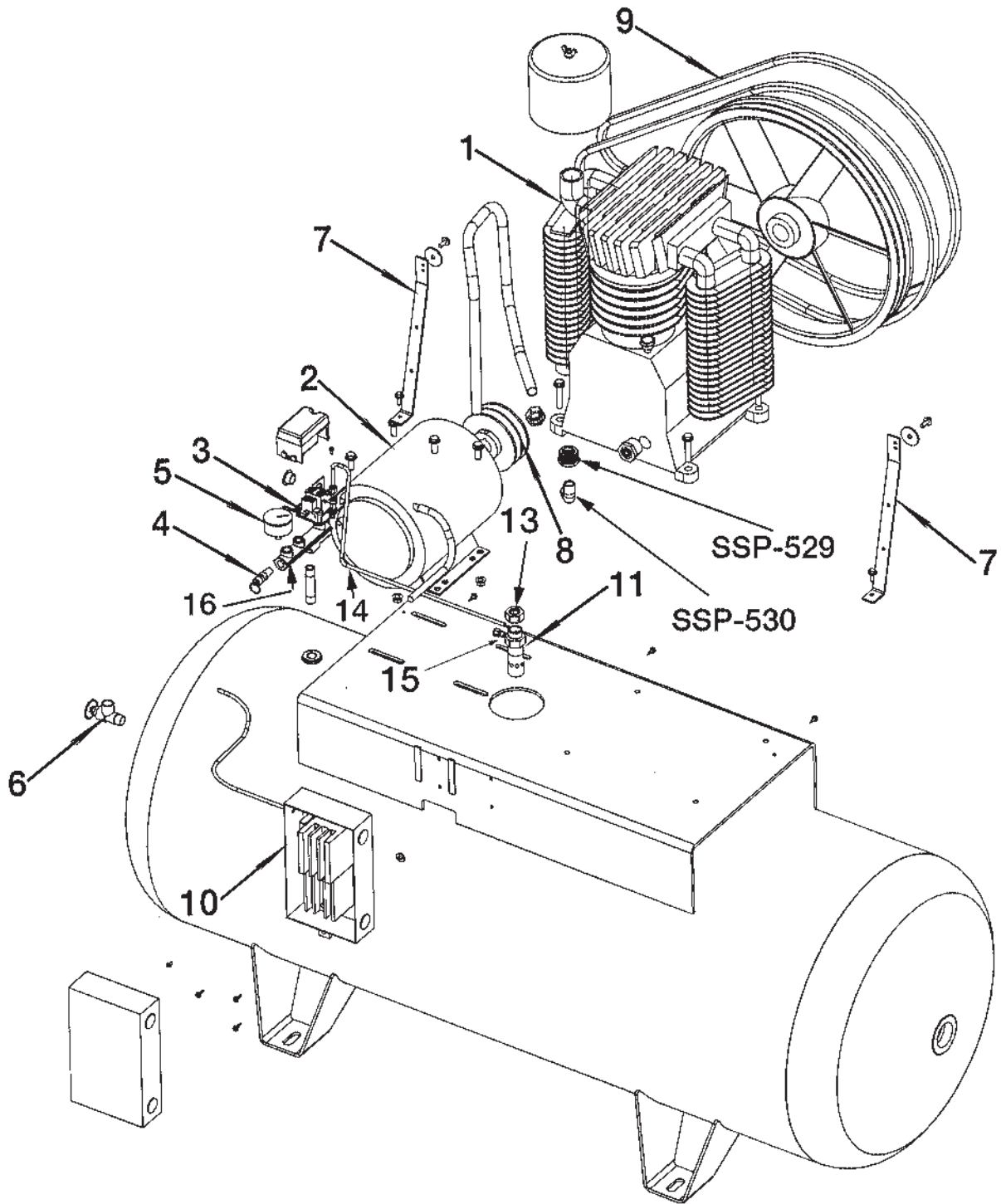


L10120H2-2



L10120H2-2 (cont'd)

Key		
No.	Part Number	Description
1	•BAL-T59S	PUMP ASSEMBLY
2	MO-9082	MOTOR
3	DAC-278-2	PRESSURE SWITCH
4	TIA-4200	SAFETY VALVE
5	GA-360-B	PRESSURE GAUGE
6	SSV-6-B	BALL VALVE
7	AC-0485	BASE BRACKET (2 used)
8	PU-2906	MOTOR PULLEY
9	BT-316	BELT (2 used)
10	AC-0478	CONTACTOR BOX
11	AC-0465	CHECK VALVE
12	AC-0582	3/4" OUTLET TUBE
13	SSP-7815	3/4" NUT/SLEEVE ASSEMBLY (2 USED)
14	AC-0459	1/4" PRESSURE RELIEF TUBE
15	SSP-7811	1/4" NUT/SLEEVE ASSEMBLY (2 USED)
16	CAC-95	MANIFOLD

Part Not Shown

SSF-8131	BELTGUARD NUT (2 used)
SS-2707	DRAIN VALVE
AC-0460-1	INSIDE BELTGUARD
AC-0461	OUTSIDE BELTGUARD
SSF-953-ZN	BELT GUARD SCREW (2 used)

•See Pumps Tab