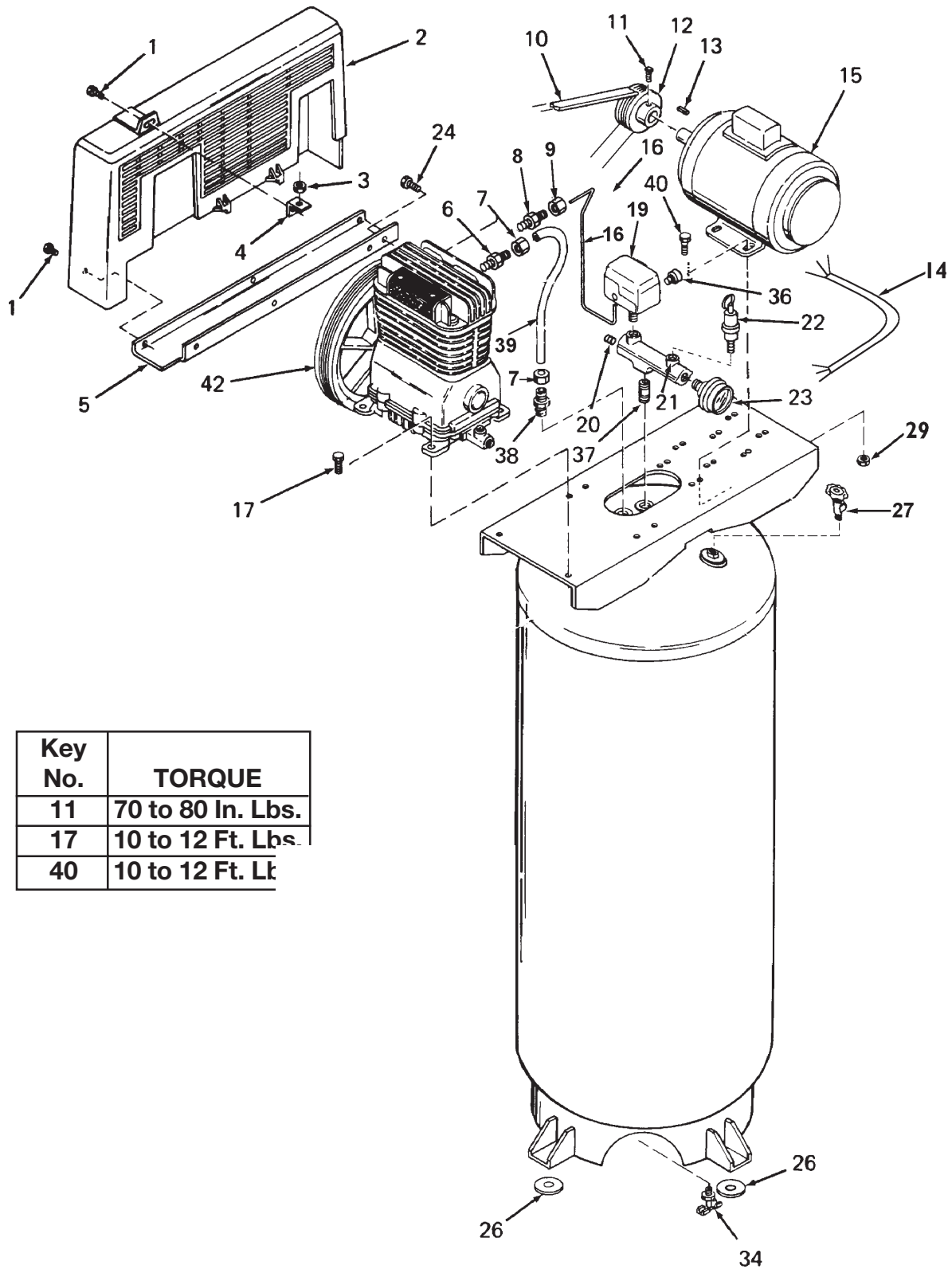


L6560V LC6560V



Key No.	TORQUE
11	70 to 80 In. Lbs.
17	10 to 12 Ft. Lbs.
40	10 to 12 Ft. Lb

L6560V

LC6560V (cont'd)

KEY NO.	PART NUMBER	DESCRIPTION
1	SSF-953-ZN	Self Tapping Screw (4 used)
2	CAC-22-2	Belt guard
3	SSF-8113-ZN	Lock nut
4	CAC-2-1	Bracket
5	CAC-362-1	Beltguard closure
6	SSP-9401	Connector
7	SSP-7812	Nut-sleeve assembly (2 used)
8	SS-8553	Connector
9	SSP-7811	Nut-sleeve assembly
10	C-BT-224	Poly-V belt
11	SS-391	Set screw
12	C-PU-2861	Motor pulley
13	SUDL-65	Key 3/16" x 3/16" x 1 1/4"
14	CAC-4205	Cord Assembly
15	MO-3022-1	Motor
16	CAC-1331	Pressure release tube
17	SSF-928	Cap screw 5/16"-18-1" (4 used)
19	CAC-4336	Pressure switch
20	SS-3222-CD	Pipe plug
21	CAC-95	Manifold
22	TIA-4150	Safety valve
23	GA-370	Gauge
24	SSF-985-ZN	Screw (2 used)
26	CAC-1003	Isolator Washer (4 used)
27	SSV-6	Globe valve
29	SSF-8150	Hex Nut
34	SS-2707	Drain valve
36	SSW-7367	Strain Relief
37	SS-2110	Nipple
38	CAC-437-2	Check valve
39	CAC-357-1	Outlet tube
40	SSF-3152	Cap screw 5/16"-18 x 3/4" (4 used)
42	AC-01711	Compressor pump assembly (Replacement pump is AC-0171-See Pumps Tab)