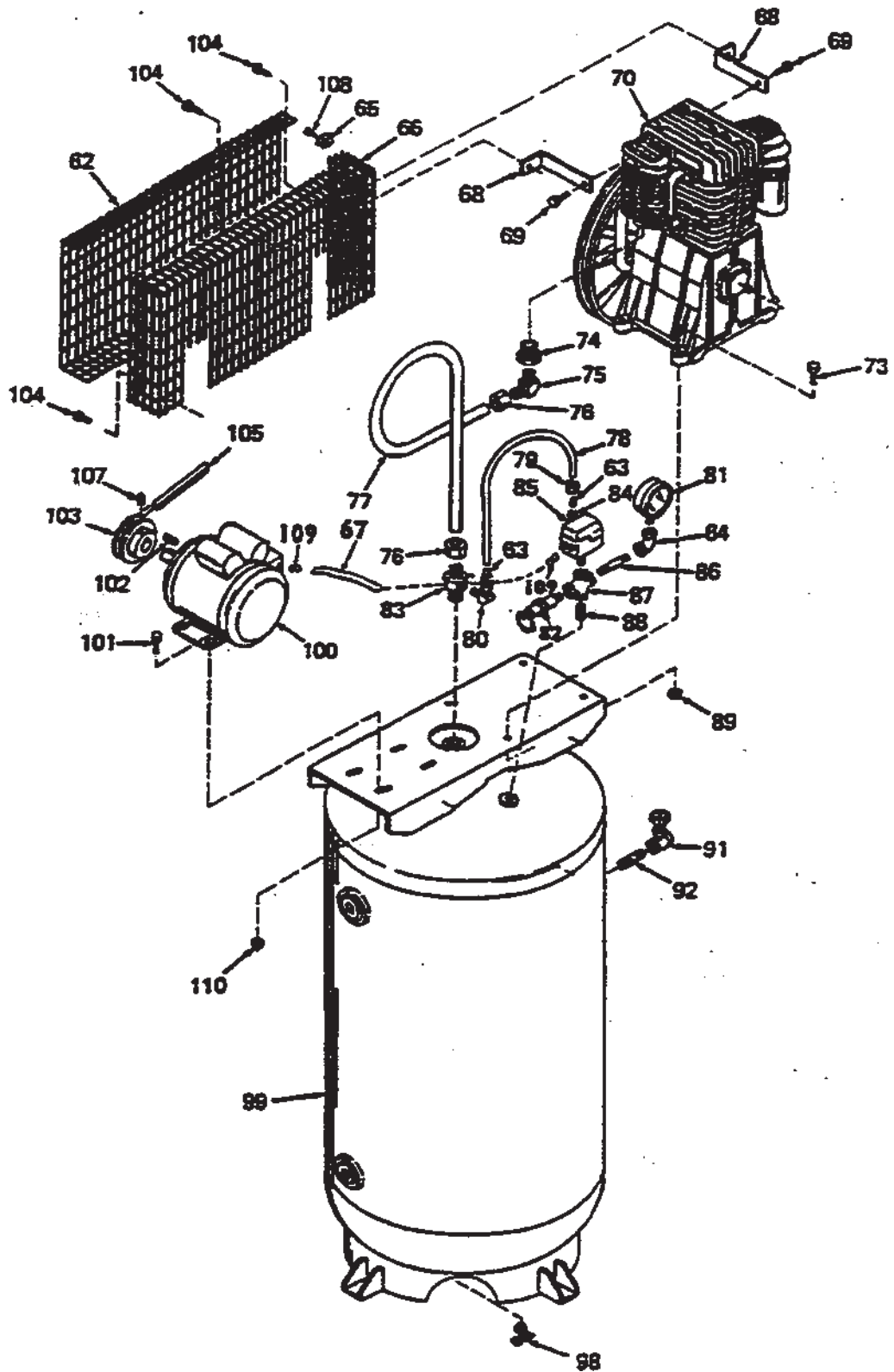


LA580V2 5A80VID



LA580V2

5A80VID (cont'd)

<u>Key No.</u>	<u>Part Number</u>	<u>Decription</u>
62	CAC-1002	Outside belt guard
63	SSP-9013	Tube insert (2 used)
64	SSP-1914	Elbow, 1/4"
65	SSF-8131	Clip (4 used)
66	CAC-1001	Inside belt guard
67	DAC-152	Motor cord
68	CAC-1004-2	Guard head bracket (2 used)
69	ABP-9101254	Screw
70	• ABP-446-A	Compressor pump assembly
73	SSF-3121-ZN	Cap screw, 5/16"-18 x 1 3/4" (4 used)
74	ABP-9053192	Shoulder bushing
75	SSP-6437	Elbow
76	SSP-7815	Nut and sleeve assembly, 3/4" (2 used)
77	CAC-1026	Outlet tube
78	CAC-1029	Pressure relief tube
79	SSP-7811	Nut and sleeve assembly, 1/4"
80	SSP-6434	Elbow
81	GA-347	Pressure gauge
82	TIA-4200	Safety valve, 200 lbs.
83	SSV-805	Check valve
84	KK-4315	Pressure release valve & mounting nut (included with #85)
85	DAC-150	Pressure Switch
86	SS-2104	Nipple, 1/4" x 2"
87	SS-2788	Cross, 1/4"
88	SS-2071	Nipple, 1/4" x 1 1/2"
89	SSF-8150	Flange nut (4 used)
91	SSV-3	Globe Valve
92	SSP-434	Nipple
98	SS-2707	Drain cock valve
99	*	Tank
100	MO-6425	Motor, 5 HP
101	SSF-3140-ZN	Cap screw, 3/8-16 x 1" (4 used)
102	SUDL-65	Motor shaft key (3/16" x 3/16" x 1 1/4")
103	PU-2880	Pulley
104	91895680	Screw, thread forming (6 used)
105	BT-229	Belt
107	SS-559	Set screw (5/16"-18 x 3/8")
108	SSF-953-ZN	Screw (4 used)
109	SSW-7482	3/8" conduit connector (2 used)
110	SSF-8111-ZN	Locknut 3/8"-16 x 1" (4 used)
	<u>NOT SHOWN</u>	
	KK-4834	Isolator Kit

***Non-serviceable part**
•See Pumps Tab