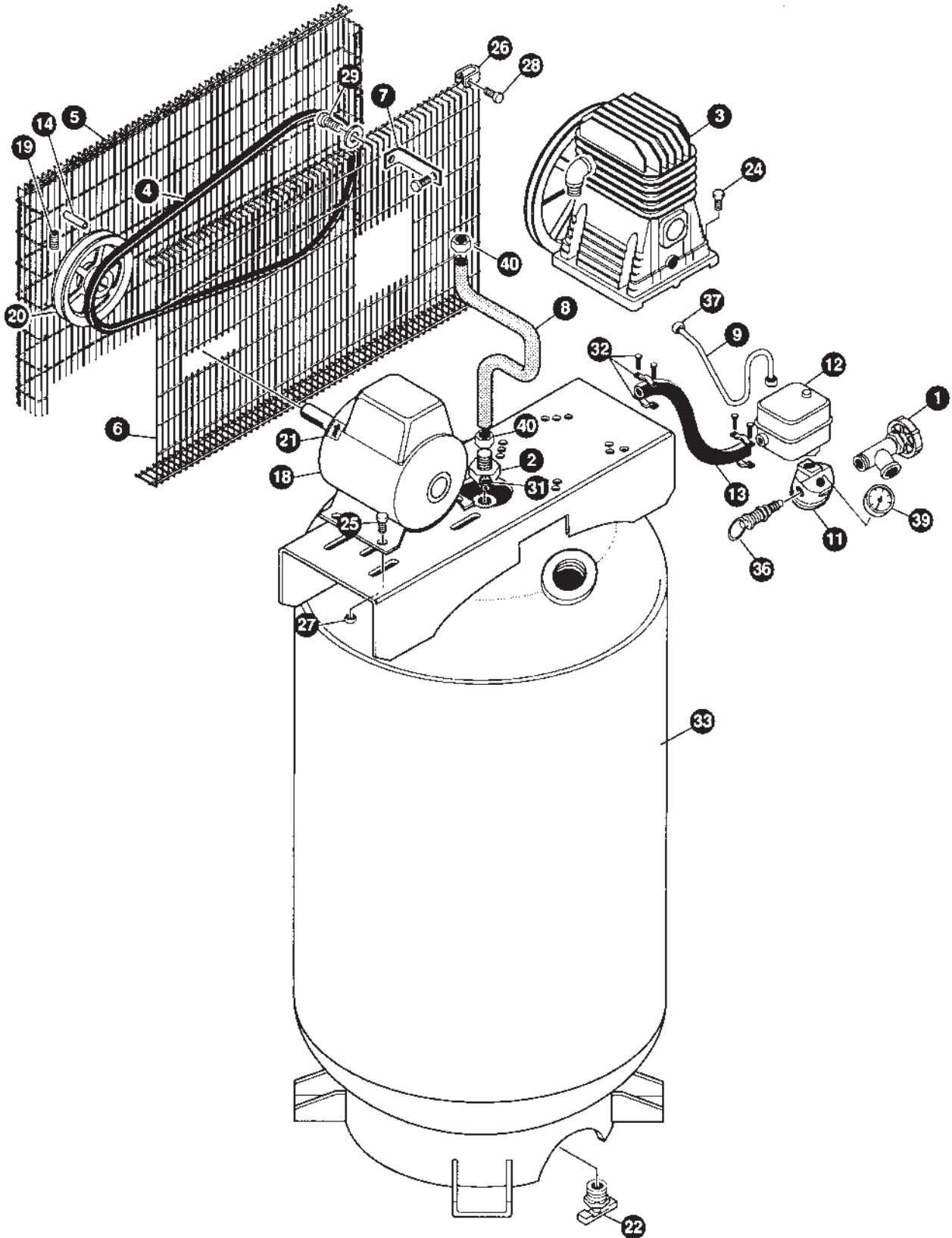


LJ580V2 5J80V1D LJC580V2



LJ580V2

5J80V1D

LJC580V2 (cont'd)

| Key | | |
|------------|--------------------|---------------------------------------|
| No. | Part Number | Description |
| 1 | SSV-6 | Globe Valve |
| 2 | CAC-4337-1 | Check Valve |
| 3 | • ABP-4900 | Two-Stage Pump |
| 4 | BT-226 | Belt |
| 5 | AC-0434 | Outside Belt Guard |
| 6 | AC-0433 | Inside Belt Guard |
| 7 | CAC-1004-2 | Belt Guard Bracket |
| 8 | CAC-1359 | Outlet Tube |
| 9 | CAC-1363 | Pressure Relief Tube |
| 11 | Z-DAC-278-2 | Manifold |
| 12 | DAC-150 | Pressure Switch |
| 13 | | Cord |
| 14 | SUDL-65 | Key |
| 18 | MO-9044-1 | Motor |
| 19 | SS-559 | Set Screw |
| 20 | C-PU-2892 | Pulley (Model(s) LJ580V2 and 5J80V1D) |
| | C-PU-2888 | Pulley (Model LJC580V2) |
| 21 | SS-00403 | Flywheel Direction Label |
| 22 | SS-2707 | Drain Valve |
| 24 | SSF-3159 | Pump Bolt |
| 25 | SSF-3140-ZN | Motor Bolt |
| 26 | SSF-8131 | Speed Nut |
| 27 | SSF-8111-ZN | Lock Nut |
| 28 | SSF-953-ZN | Self Tapping Screw |
| 29 | 91895680 | Screw |
| 31 | SS-8553 | Male Connector |
| 32 | SSW-7482 | Connector (2 used) |
| 33 | * | Tank |
| 36 | TIA-4200 | Safety Valve |
| 37 | SSP-7811 | Nut Sleeve Assembly 1/4" |
| 39 | GA-360 | Gauge |
| 40 | SSP-7812 | Nut Sleeve Assembly 1/2" |

NOT SHOWN

KK-4315

Pressure Relief Valve Kit

KK-4834

Isolator Kit

•See Pumps Tab

*Non-serviceable Part