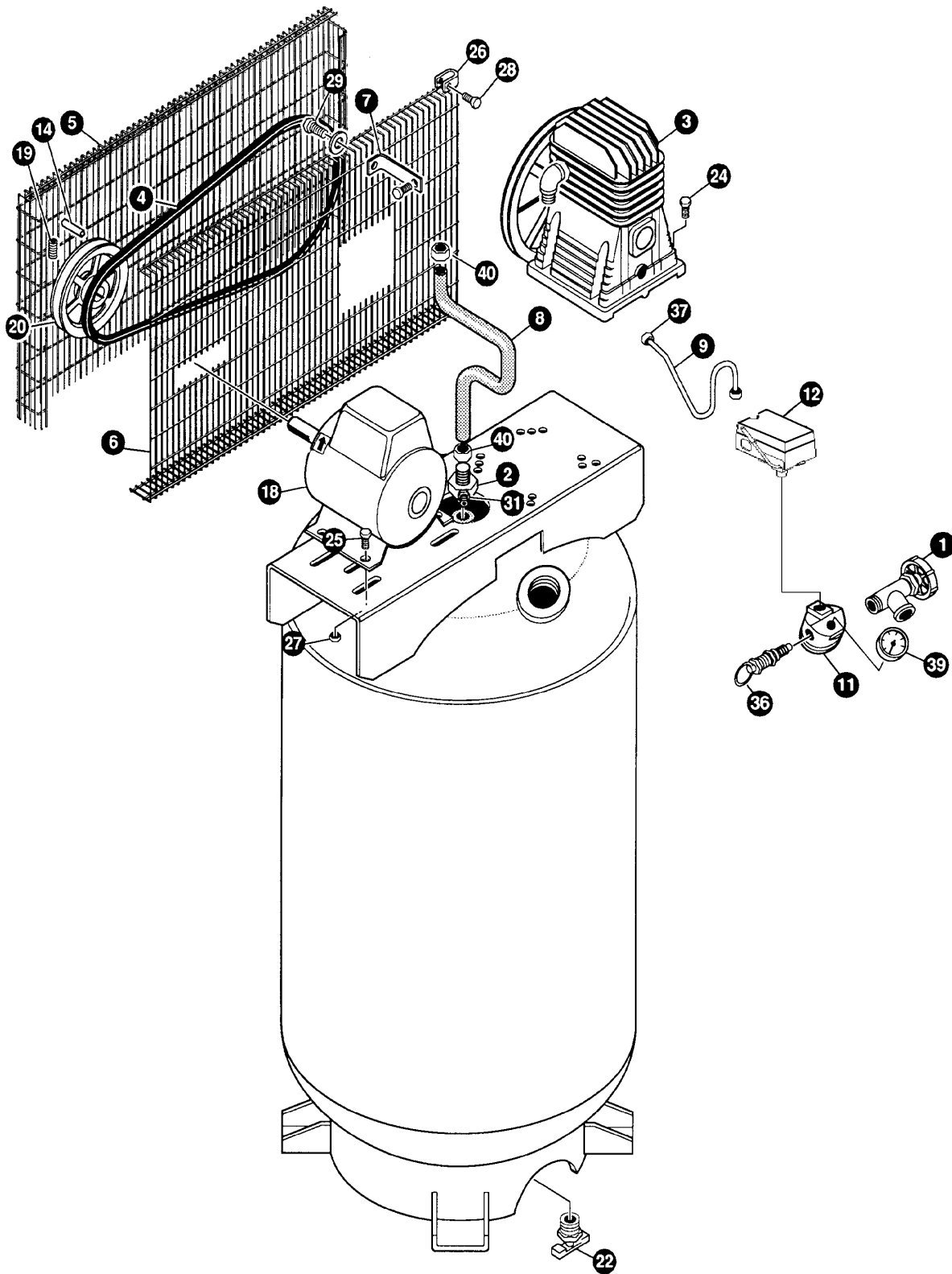


LJ660V2



L660V2 (cont'd)

Key No.	Part Number	Description
1	SSV-6	Globe Valve
2	CAC-4337-1	Check Valve
3	• ABP-4900	Two-Stage Pump
4	BT-226	Belt
5	AC-0434	Outside Belt Guard
6	AC-0433	Inside Belt Guard
7	CAC-1004-2	Belt Guard Bracket
8	CAC-1359	Outlet Tube
9	CAC-1363	Pressure Relief Tube
11	DAC-278-1	Manifold
12	DAC-150	Pressure Switch
13		Cord
14	SUDL-65	Key
18	MO-9044-1	Motor
19	SS-559	Set Screw
20	C-PU-2892	Pulley
21	SS-00403	Flywheel Direction Label
22	SS-2707	Drain Valve
24	SSF-3159	Pump Bolt
25	SSF-3140-ZN	Motor Bolt
26	SSF-8131	Speed Nut
27	SSF-8111-ZN	Lock Nut
28	SSF-953-ZN	Self Tapping Screw
29	91895680	Screw
31	SS-8553	Male Connector
32	SSW-7482	Connector (2 used)
36	TIA-4200	Safety Valve
37	SSP-7811	Nut Sleeve Assembly 1/4"
39	GA-360	Gauge
40	SSP-7812	Nut Sleeve Assembly 1/2"
42	DAC-296	Swivel Nut
43	DAC-296	Swivel Fitting

NOT SHOWN

KK-4315	Pressure Relief Valve Kit
MG6-OLVERT-3B	Operators Manual
MP6-LJ660V2	Parts Manual

•See *Pumps Tab*