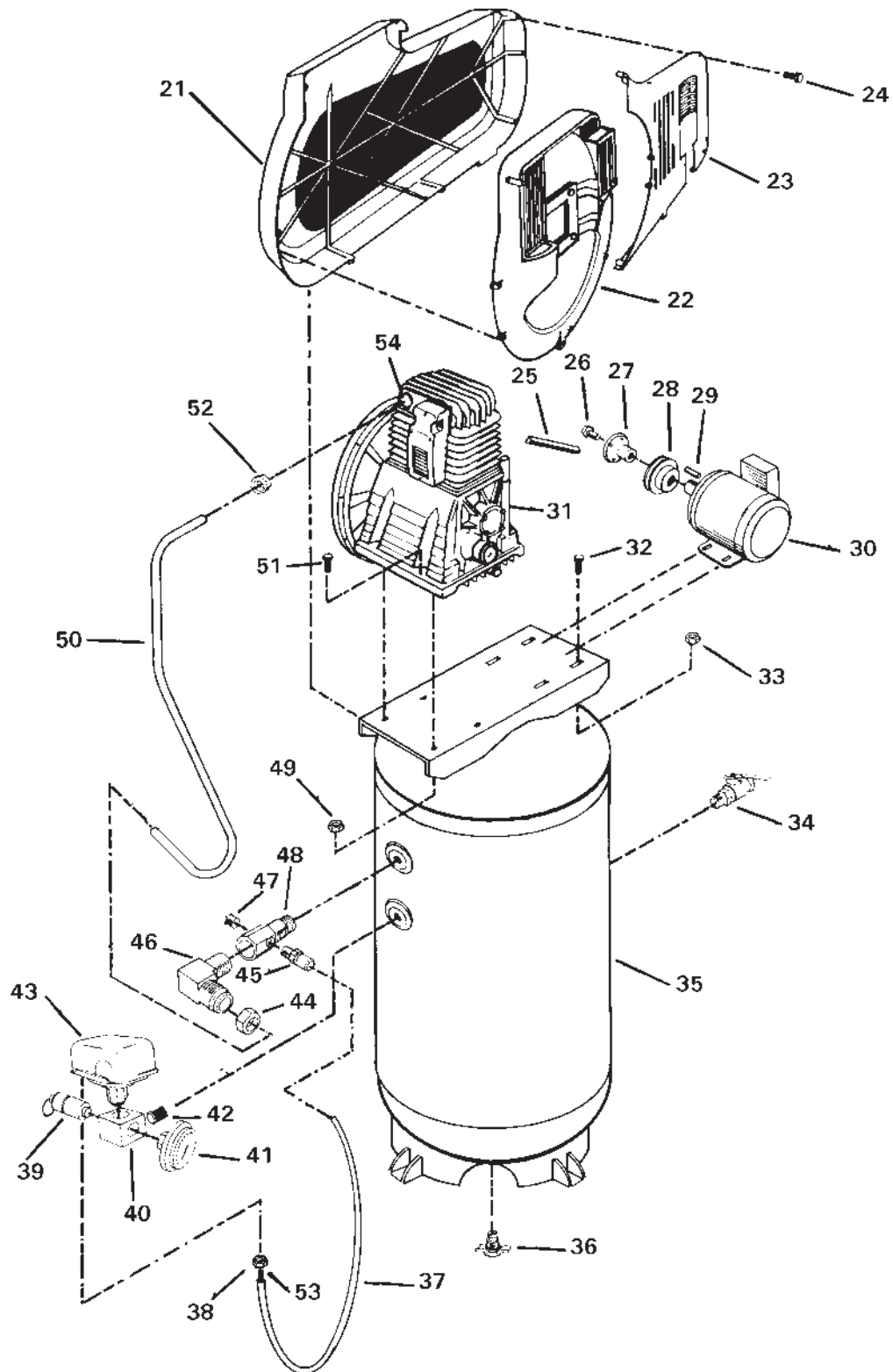


LK580V2 LKC580V2



LK580V2

LKC580V2 (cont'd)

<u>Key No.</u>	<u>Part Number</u>	<u>Description</u>
X 21	---	Outer Belt Guard
X 22	---	Inside Pump Belt Guard
X 23	---	Inside Motor Belt Guard
X 24	Kit Only	Belt Guard Fastener Kit
	25 97512958	Belt
	26 ---	Screw (included in Key #22)
	27 91897678	Taper Lock Busing
	28 C-PU-2884	Sheave
	29 SST-5009	Motor Shaft Key
	30 MO-9044-1	Motor
	31 ABP-459	Compressor Pump
	32 SSF-3140-ZN	Motor Screw
	33 SSF-8111-ZN	Nut, Whiz-Lock
	34 97179048	Ball Valve
	35 *	Tank
	36 SS-2707	Drain Valve
	37 No longer available	Unloader Tube
	38 SSP-7811	Nut Sleeve Assy.
	39 TIA-4200	Safety Valve
	40 91895813	Manifold
	41 97173801	Gauge
	42 97259535	Adapter
	43 97270284	Pressure Switch
	44 SSP-7824	Nut Sleeve Assy.
	45 97167589	Connector
	46 SSP-6461	Male Elbow
	47 SS-3222-CD	Pipe Plug
	48 CAC-1414	Check Valve
	49 SSF-8111-ZN	Nut
	50 DAC-192	Outlet Tube
	51 SSF-3154	Pump Screw
	52 SSP-7824	Nut Sleeve Assy.
	53 SSP-9013	Tube Insert
	54 SSP-6103	Male Connector
	<u>NOT SHOWN</u>	
	KK-4834	Isolator Kit

X Keys 21, 22 and 23 can only be purchased as KK-5008 Belt Guard Kit. (DAC-490 Fastener Kit is included.) (KK-5009 for Canada.)

***Non-serviceable part**

•See Pumps Tab