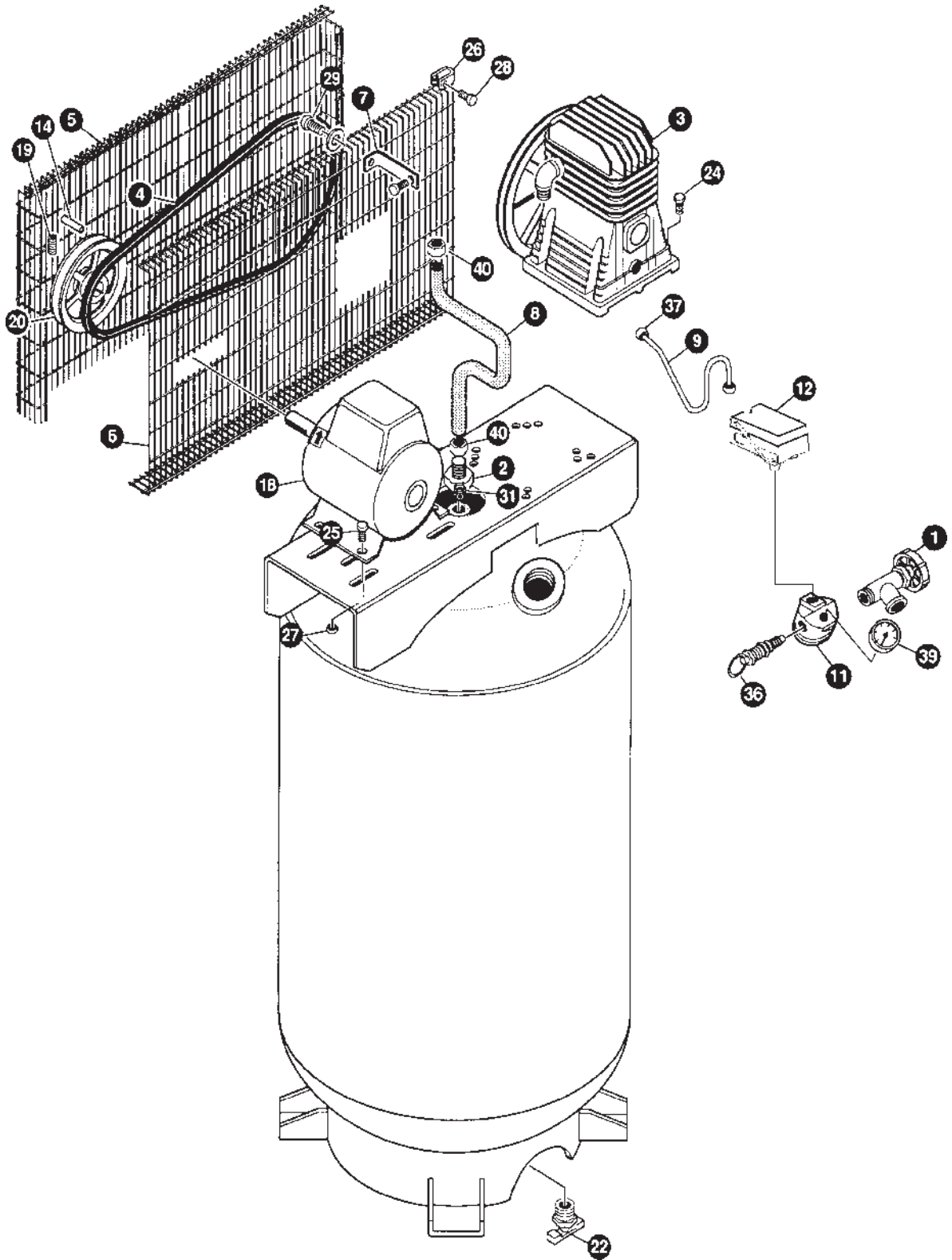


# LK6580V2-1 LKC6580V2-1



# LK6580V2-1

## LKC6580V2-1 (cont'd)

<b>Key No.</b>	<b>Part Number</b>	<b>Description</b>
1	SSV-6-B	Globe Valve
2	CAC-4337-1	Check Valve
3	• ABP-459	Two-Stage Pump
4	BT-304	Belt
5	AC-0434	Outside Belt Guard
6	AC-0433	Inside Belt Guard
7	DAC-306	Belt Guard Bracket
8	DAC-299	Outlet Tube
9	DAC-304	Pressure Relief Tube
11	K-0609	Manifold Replacement Kit
12	DAC-278-2	Pressure Switch
14	SUDL-65	Key
18	MO-9044-1	Motor
19	SS-559	Set Screw
20	PU-2893	Pulley
22	SS-2707	Drain Valve
24	SSF-3159	Pump Bolt
25	SSF-3140-ZN	Motor Bolt
26	SSF-8131	Speed Nut
27	SSF-8111-ZN	Lock Nut
28	SSF-953-ZN	Self Tapping Screw
29	91895680	Screw
31	SS-8553	Male Connector
36	TIA-4200	Safety Valve
37	SSP-7811	Nut Sleeve Assembly 1/4"
39	GA-360-B	Gauge
40	SSP-7812	Nut Sleeve Assembly 1/2" (2 used)
	<b><u>NOT SHOWN</u></b>	
	KK-4315	Pressure Relief Kit

•See Pumps Tab