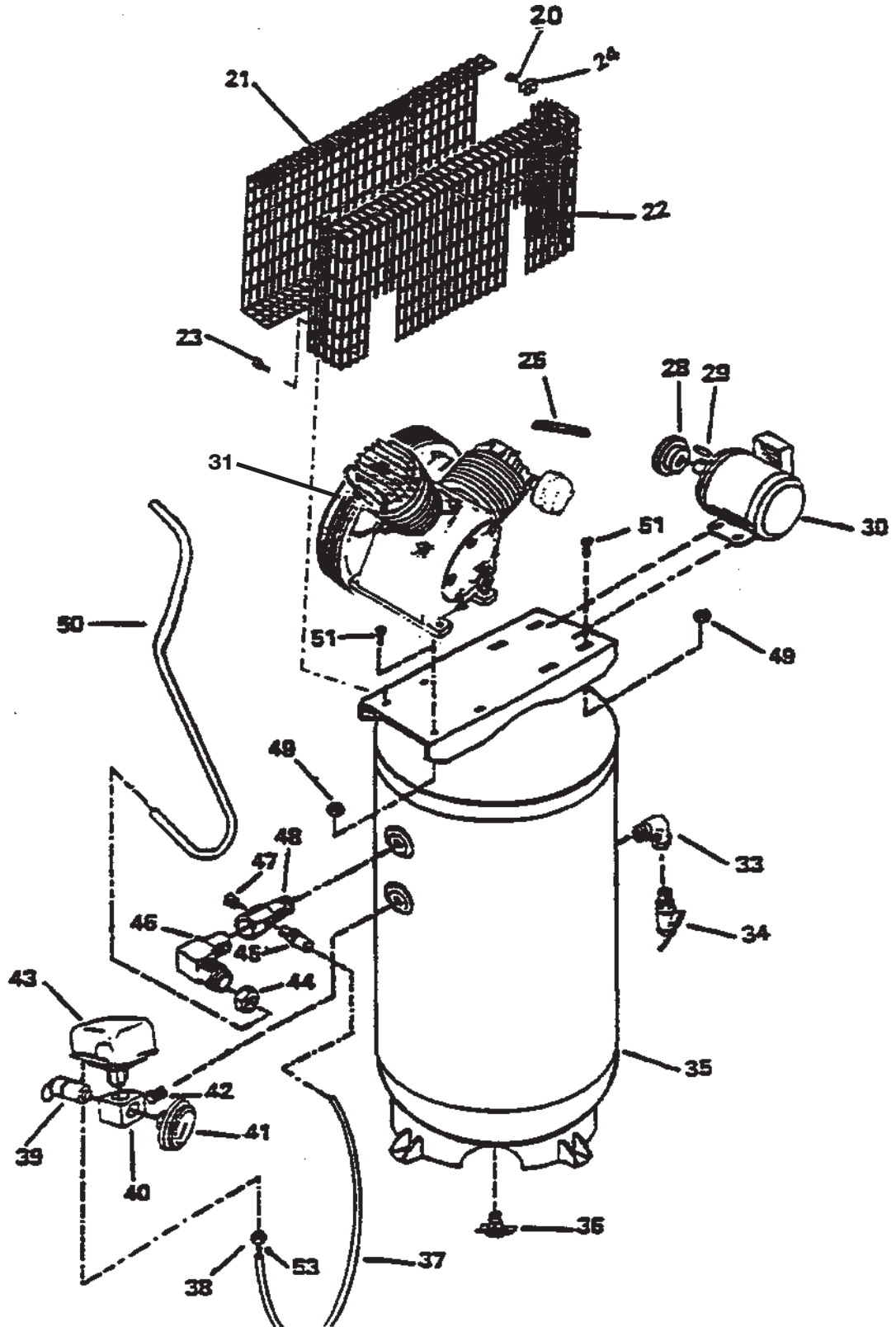


LS580V2



LS580V2 (cont'd)

Key	Part Number	Description
No.		
20	SSF-953-ZN	Screw (4 used)
21	DAC-255	Outer Belt Guard
22	AC-0434	Inside Pump Belt Guard
23	91895680	Screw (4 used)
24	SSF-8131	Belt Guard Fastener Kit
25	BT-300	Belt (2 used)
28	C-PU-2890	Pulley
29	SST-5009	Motor Shaft Key
30	C-MO-3023	Motor
31	•DAC-4049	Compressor Pump
32	---	---
33	SSP-1938	Elbow
34	91894873	Ball Valve
35	*	-----
36	SS-2707	Drain Valve
37	-----	Not available
38	SSP-7811	Nut Sleeve Assy.
39	TIA-4200	Safety Valve
40	91895813	Manifold
41	97173801	Gauge
42	97259535	Adapter
43	97270284	Pressure Switch
44	SSP-7824	Nut Sleeve Assy. (2 used)
45	SSP-6088	Barb Fitting
46	SSP-6461	Male Elbow
47	SS-3222-CD	Pipe Plug
48	CAC-1414	Check Valve
49	SSF-8111-ZN	Nut (torque 25-30 ft.lbs.) (8 used)
50	DAC-205	Outlet Tube
51	SS-26-CD	Pump Screw (8 used)
53	SSP-9013	Tube Insert
	<u>NOT SHOWN</u>	
	KK-4834	Isolator Kit

***Non-Servicable Part**

•See Pumps Tab