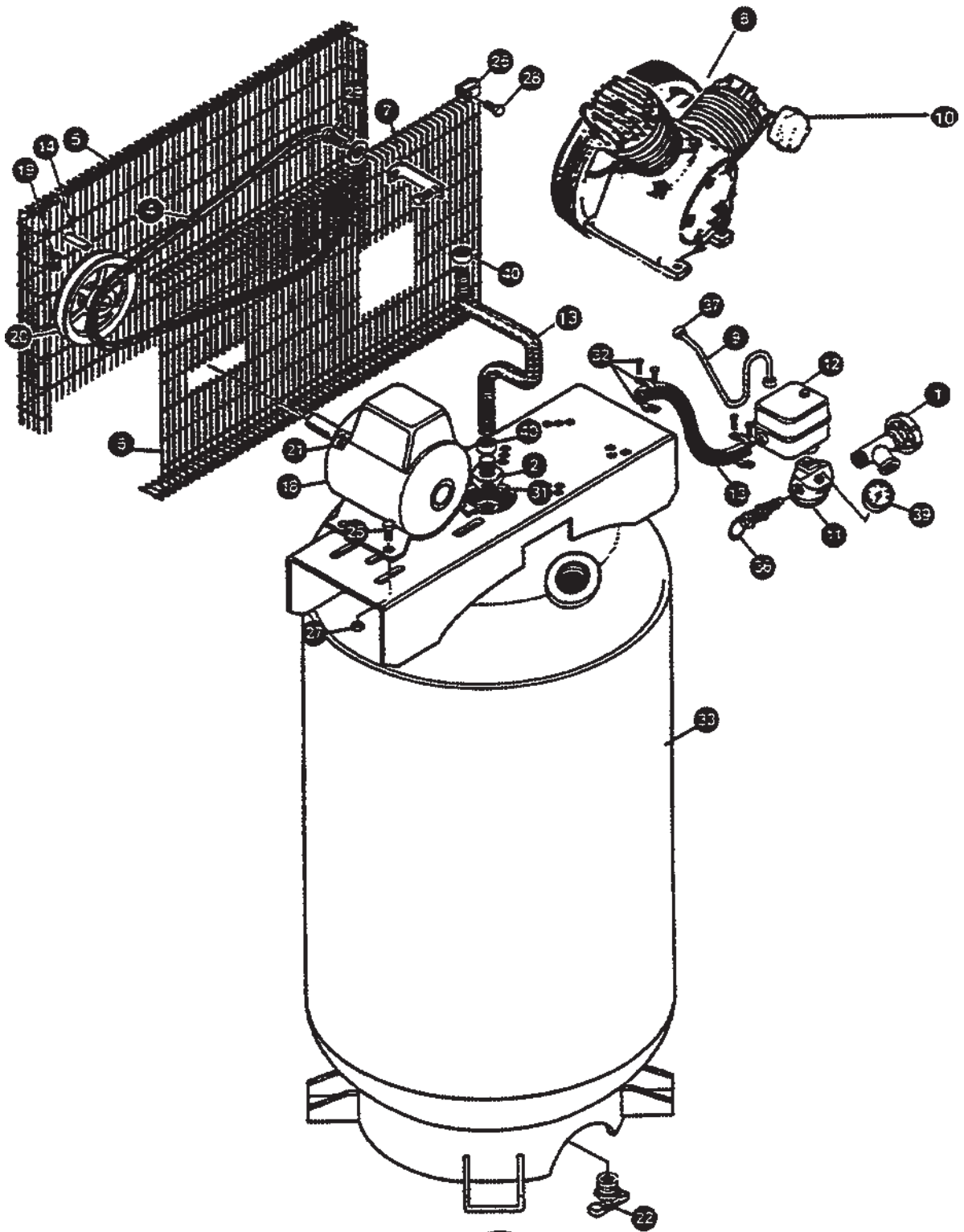


LS580V2-2



NOTE:
Isolator washers must be mounted
with rubber up.

LS580V2-2 (cont'd)

Key No.	Part Number	Description
1	SSV-6	Globe Valve
2	DAC-252	Check Valve
3	• DAC-4049	Two-Stage Pump
4	BT-302	Belt
5	AC-0434	Outside Belt Guard
6	AC-0433	Inside Belt Guard
7	CAC-1004-2	Belt Guard Bracket
8	AC-0172	Outlet Tube
9	CAC-1367	Pressure Relief Tube
11	K-0609	Manifold Replacement Kit
12	97270284	Pressure Switch
13	DAC-4087	Conduit Assy.
18	M0-9044-1	Motor
20	AC-0177	Pulley/w/Brushing
21	SS-00403	Flywheel Direction Label
22	SS-2707	Drain Valve
24	SSF-955	Pump Bolt
25	SSF-3140-ZN	Motor Bolt
26	SSF-8131	Speed Nut (2 used)
27	SSF-8111-ZN	Lock Nut (4 used)
28	SSF-953-ZN	Self Tapping Screw
29	91895680	Screw
31	SS-8553	Connector Body
36	TIA-4200	Safety Valve
37	SSP-7811	Nut Sleeve Assembly (2 used)
39	GA-360	Gauge
40	SSP-7824	Nut Sleeve Assembly (2 used)
	Not Shown	
	KK-4315	Pressure Relief Valve Kit
	KK-4834	Isolator Kit
	97509053	Magnetic Starter

***Non-Servicable Part**

•See Pumps Tab