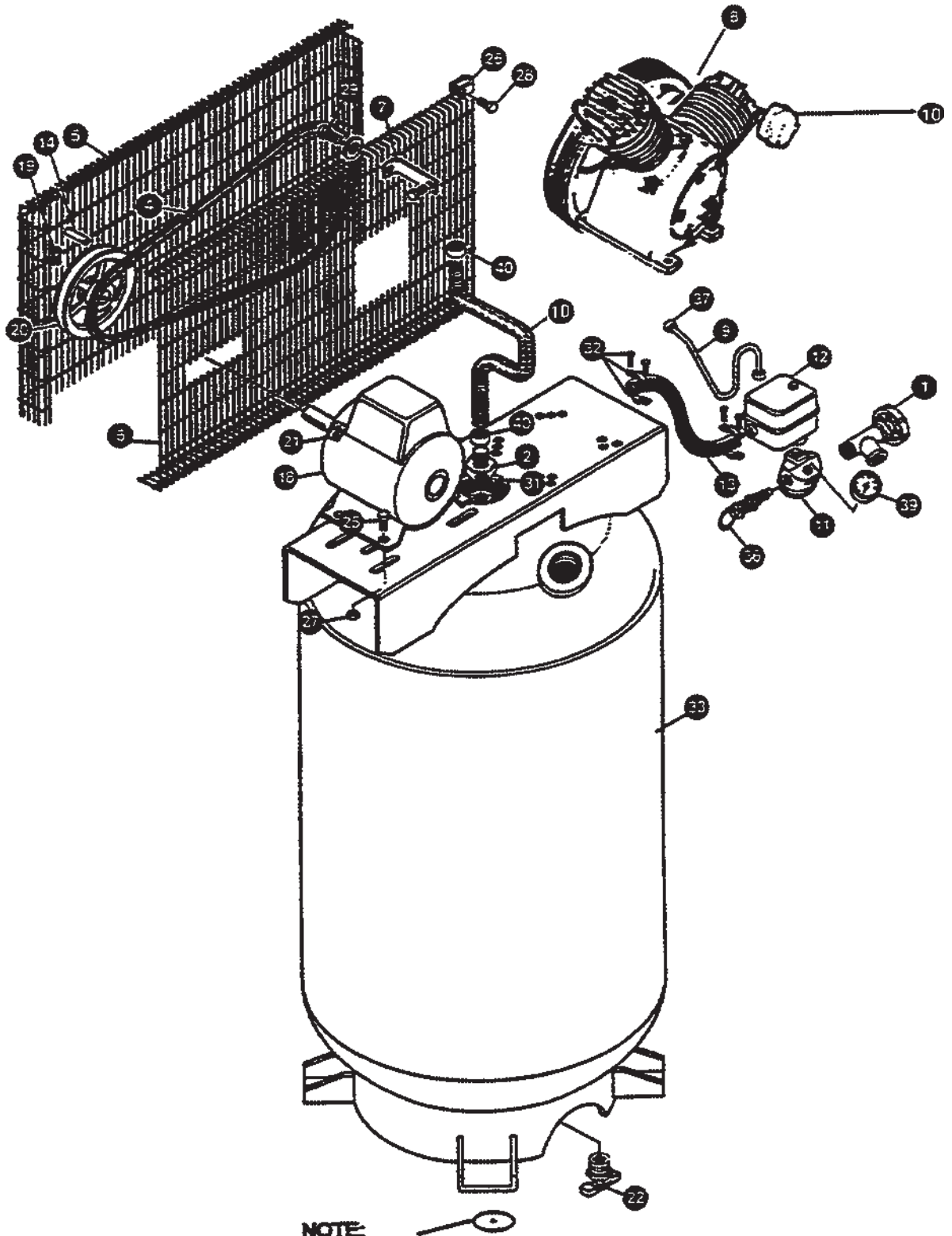


# LS6580V2M



**NOTE:**  
Isolator washers must be mounted  
with rubber up.

# LS6580V2M (cont'd)

| <b>Key No.</b> | <b>Part Number</b> | <b>Description</b>  |
|----------------|--------------------|---|
| 1              | SSV-6              | Globe Valve   |
| 2              | DAC-252            | Check Valve   |
| 3              | •DAC-4049-P        | Two-Stage Pump  |
| 4              | BT-302             | Belt  |
| 5              | AC-0434            | Outside Belt Guard  |
| 6              | AC-0437            | Inside Belt Guard   |
| 7              | AC-0172            | Belt Guard Bracket  |
| 8              | DAC-261            | Outlet Tube   |
| 9              | CAC-1367           | Pressure Relief Tube - 13" Nylon<br>Pressure Relief Tube - Aluminum |
| 10             | DAC-256            | Outlet Tube   |
| 11             | K-0609             | Manifold Replacement Kit  |
| 12             | 97270284           | Pressure Switch   |
| 13             | DAC-4087           | Conduit Assy.   |
| 18             | M0-9044-1          | Motor   |
| 20             | AC-0177            | Pulley/w/Brushing   |
| 21             | SS-00403           | Flywheel Direction Label  |
| 22             | SS-2707            | Drain Valve   |
| 24             | SSF-955            | Pump Bolt   |
| 25             | SSF-3140-ZN        | Motor Bolt  |
| 26             | SSF-8131           | Speed Nut (2 used)  |
| 27             | SSF-8111-ZN        | Lock Nut (4 used)   |
| 28             | SSF-953-ZN         | Self Tapping Screw  |
| 29             | 91895680           | Screw   |
| 31             | SS-8553            | Connector Body  |
| 33             | *                  | -----   |
| 36             | TIA-4200           | Safety Valve  |
| 37             | SSP-7811           | Nut Sleeve Assembly (2 used)  |
| 39             | GA-360             | Gauge   |
| 40             | SSP-7824           | Nut Sleeve Assembly (2 used)  |
|                | <b>Not Shown</b>   |   |
|                | KK-4315            | Pressure Relief Valve Kit   |
|                | 97509053           | Magnetic Starter  |

•See Pumps Tab