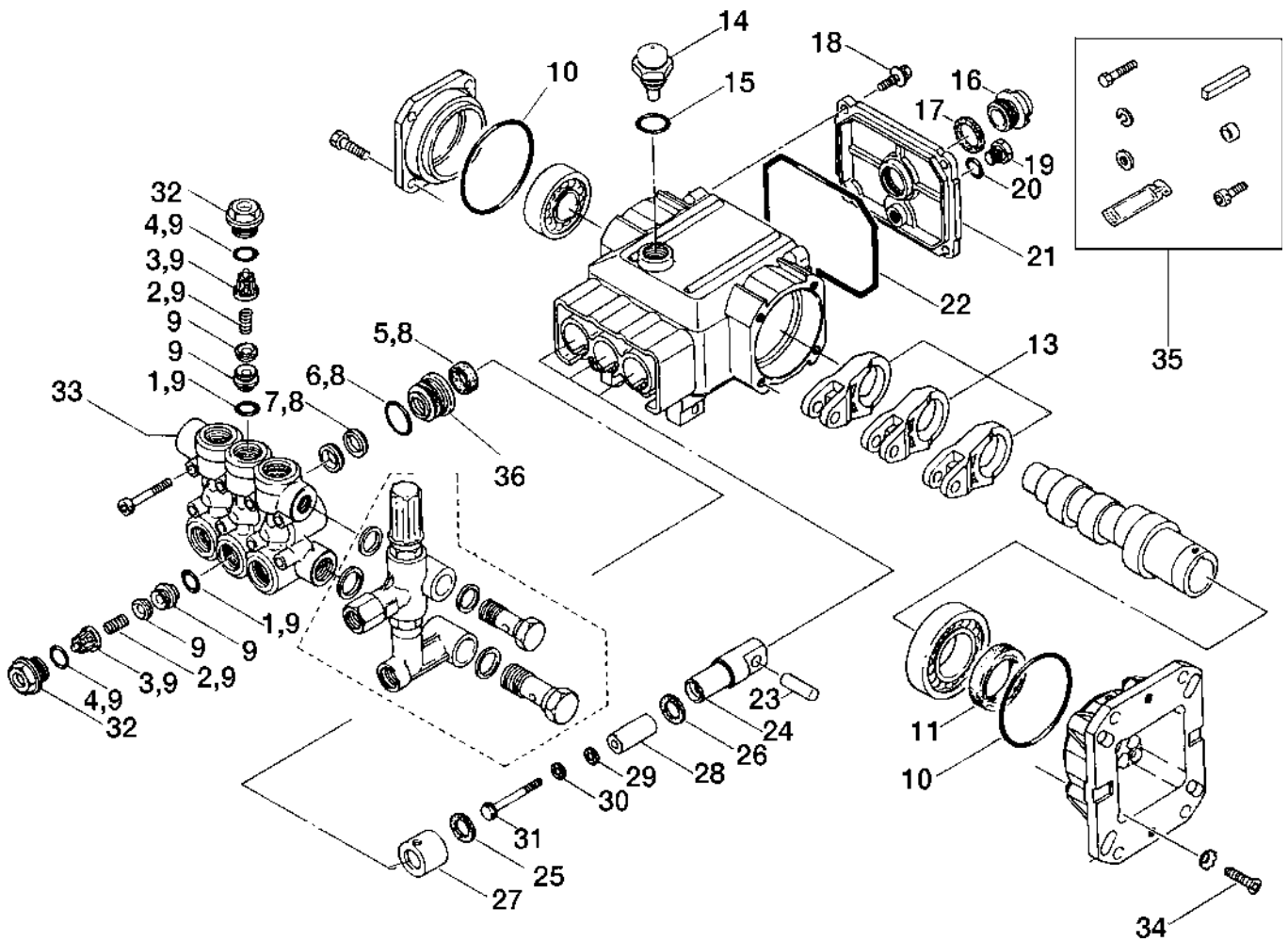
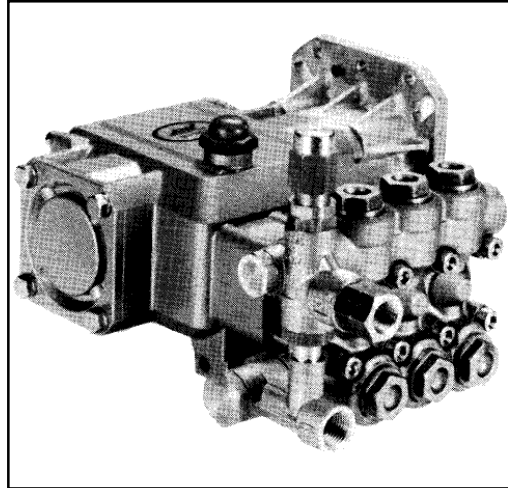


15530 (4HP40G1)- CAT PUMP



15530 (4HP40G1) - CAT PARTS LIST

<u>Key#</u>	<u>Part #</u>	<u>Description</u>
1	15487	O-Ring Valve Seal
2	15669	Valve Spring
3	15494	Spring Retainer
4	P271	O-ring, Valve Plug
5	V157	Low Pressure Seal
6	15504	O-Ring, Seal Case
7	15299	V-Packing
8	P696	Seal Kit
9	15525	Valve Kit
10	15664	Flange O-ring
11	15666	Crankshaft Oil Seal
13	15557	Connecting Rod
14	P779	Oil Fill Cap
15	P186	Filler Cap O-ring
16	P265	Oil Gauge
17	15977	Flat Flex Gasket
18	P255	SEMS Hx Hd Screw
19	15493	Drain Plug
20	P180	Drain Plug O-ring
21	15978	Crank Case Cover
22	15979	Crank Case Cover O-ring
23	P729	Plunger Rod Pin
24	15533	Plunger Rod
25	P711	Crankcase Oil Seal
26	15657	Washer, Rubber
27	15547	Seal Retainer
28	P709	Plunger
29	15541	Plunger Retainer Back Up Pin
30	P607	Plunger Retainer Gasket
31	P904	Plunger Retainer
32	15521	Valve Plug
33	P699	Manifold Head
34	15895	Flat Hx Hd Screw
35	15550	Mounting Kit
36	16102	Seal, Case

General Information:

- 30w non-detergent – 22.65 oz.
- Unloader P698 (CA7655)
- Chemical Injector CA7233

15530 (4HP40G1) - CAT REPAIR KITS

P696 Seal Kit



15525 Valve Kit

