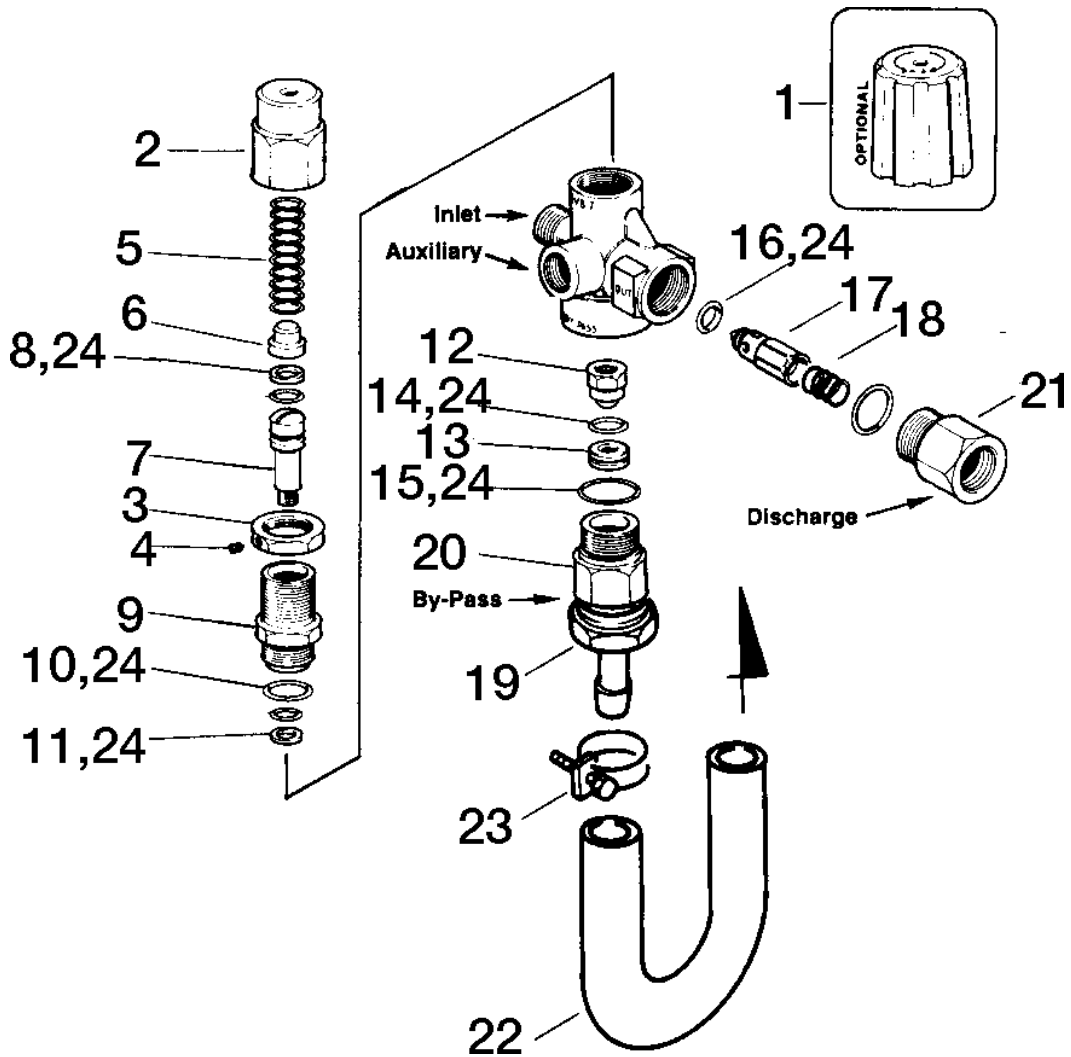


CA7627 - CAT UNLOADER



CA7627 - CAT UNLOADER PARTS LIST

<u>Key#</u>	<u>Part #</u>	<u>Description</u>
1	P713	Cap, Black (Optional)
2	15495	Cap, Hex Adjusting
3	CA33857	Nut, Locking (M18x1)
4	15539	Screw, Set (M4 x4)
5	P734	Spring, Coil
6	15555	Guide Spring
7	15500	Stem, Valve
8	*	-
9	CA33861	Back-up Ring
10	*	Retainer, Piston
11	*	O-Ring, Retainer
12	*	Back-Up-Ring, Stem
13	15497	Assembly, Valve and Ball (M6)
14	15499	Seat
15	*	O-Ring Seat
16	*	O-Ring, By-Pass Fitting
17	*	O-Ring, Flow Balancer
18	P704	O-Ring, Flow Balancer
19	15543	Valve, Check
20	P702	Spring, Flow Balancer
21	CA33865	Barb, By-Pass (3/8" NPT x 1/4")
22	CA33846	Fitting, By-Pass (3/8" NPT)
23	CA33847	Fitting, Discharge (3/8" NPT)
24	CA46140	Hose (5.5" x 1/4")
	CA45929	Clamp, Hose
	P700	O-Ring Kit

- * Order individual parts or Key #24 O-Ring Kit
 - not available as an individual part, order Key # 24 O-Ring Kit