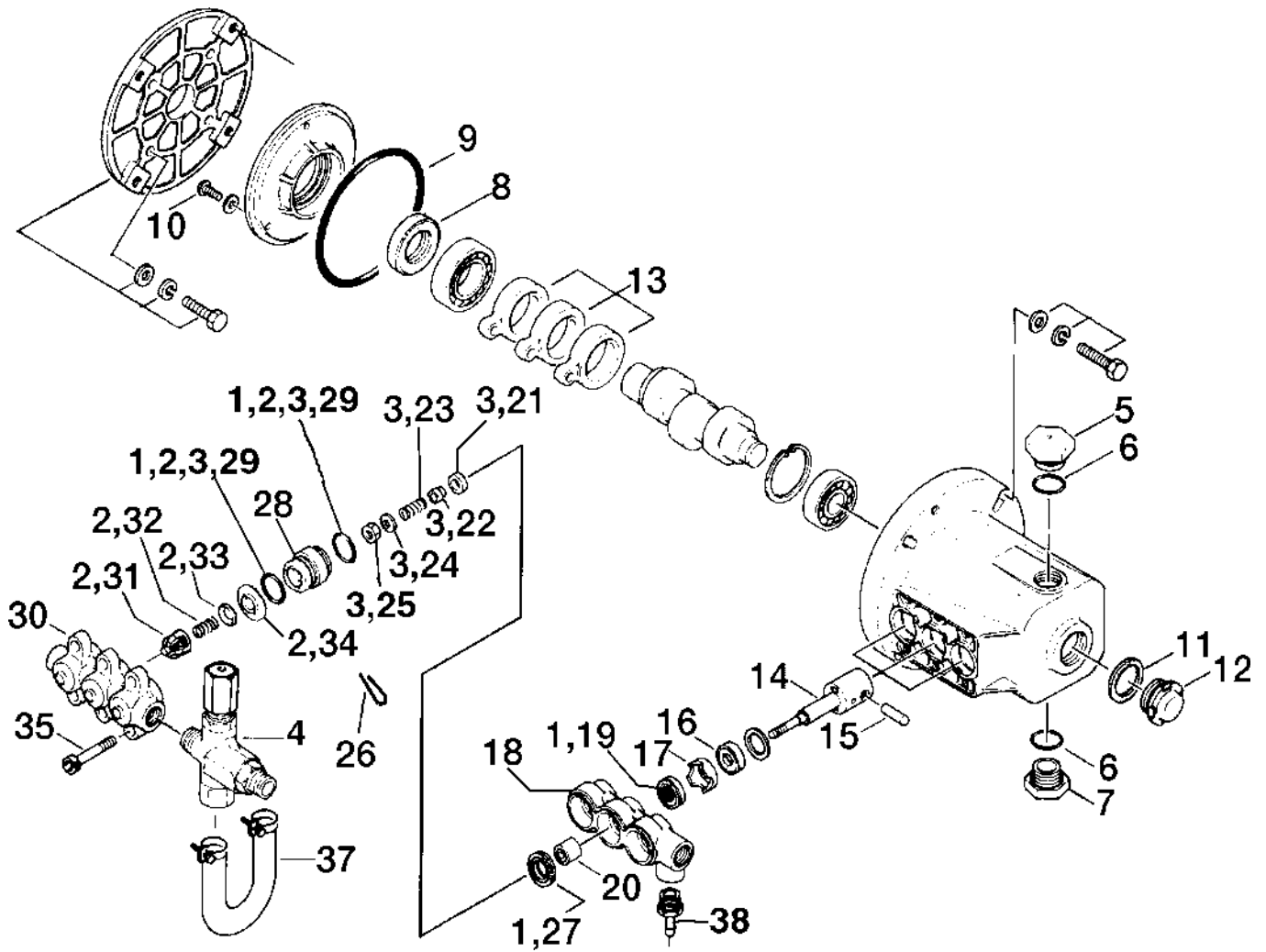
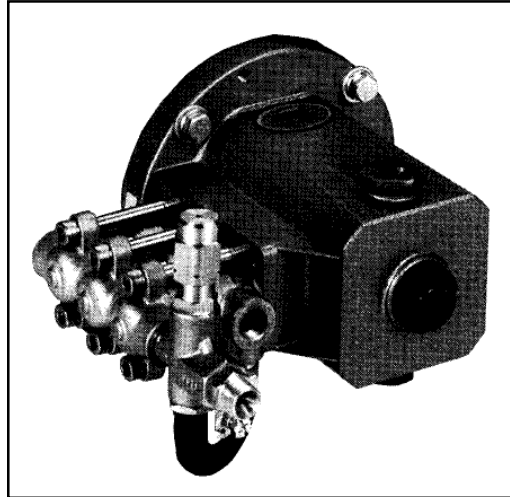


# PK2SFX30GS - PUMP, CAT



# PK2SFX30GS - PUMP, CAT PARTS LIST

<u>Key#</u>	<u>Part #</u>	<u>Description</u>
1	15667	Seal Kit
2	P142	Valve Kit
3	15048	Inlet Valve Kit
4	V061 or V131	Unloader (by-pass hose screws on) Unloader (by-pass hose clamps on)
5	P260	Oil Fill Cap
6	P186	Oil Fill Cap O-ring
7	15474	Drain Plug
8	15535	Oil Seal
9	P566	Bearing Case O-ring
10	A1455	Phil. Hx Hd Screw
11	P262	Oil Gauge Gasket
12	P265	Bubble Oil Gauge
13	15670	Connecting Rod
14	15522	Piston Rod
15	15538	Piston Rod Pin
16	P120	Oil Seal
17	15513	Seal Retainer
18	P686	Brass Inlet Manifold
19	P385	Lo Pressure Seal
20	P559	Plunger, Porcelain
21	P634	Inlet Valve
22	15514	Spacer
23	P684	Inlet Valve Spring
24	15490	Conical Washer
25	P128	Slotted Nut
26	P267	Cotter Pin
27	P122	Hi Pressure Seal
28	15671	Discharge Valve Spacer
29	P176	Adapter O-ring
30	P45	Discharge Manifold
31	15668	Valve Spring Retainer
32	15659	Discharge Valve Spring
33	P109	Discharge Valve
34	P676	Discharge Valve Seat
35	15509	Hx Socket Hd Screw, 5/16-20x4.5
37	P667	By Pass Hose
38	CA45868	Barb, Pump Inlet (1/4" Hose x 1/4" NPT)

## **General Information:**

- 30Wnon detergent-8.5 oz.
- Pump kit is for P2SFX30GS-kit contains: P2SFX30GS pump, F035 quick connect, 15124 chemical injector, F487 bushing, S065 Clamp (qty 2), 15913 hose, 17316 inline filter, H100 chemical hose, 15167 Screw, 5/16-24 x 3/4 (qty 4-pump to adapter plate), F078 lock washer 5/16-18 (qty 4-pump to adapter plate), F107 Lockwasher, 3/8 ( adapter plate to engine), 15282 Screw, 3/8016 x 1-1/4 (adapter plate to engine), 15531 Adapter Plate

# PK2SFX30GS - PUMP, CAT REPAIR LIST

## 15667 Seal Kit

Note: The cotter pins in this kit are optional.



## P142



## 15048 Inlet Valve Kit

Note: The cotter pins in this kit are optional.

