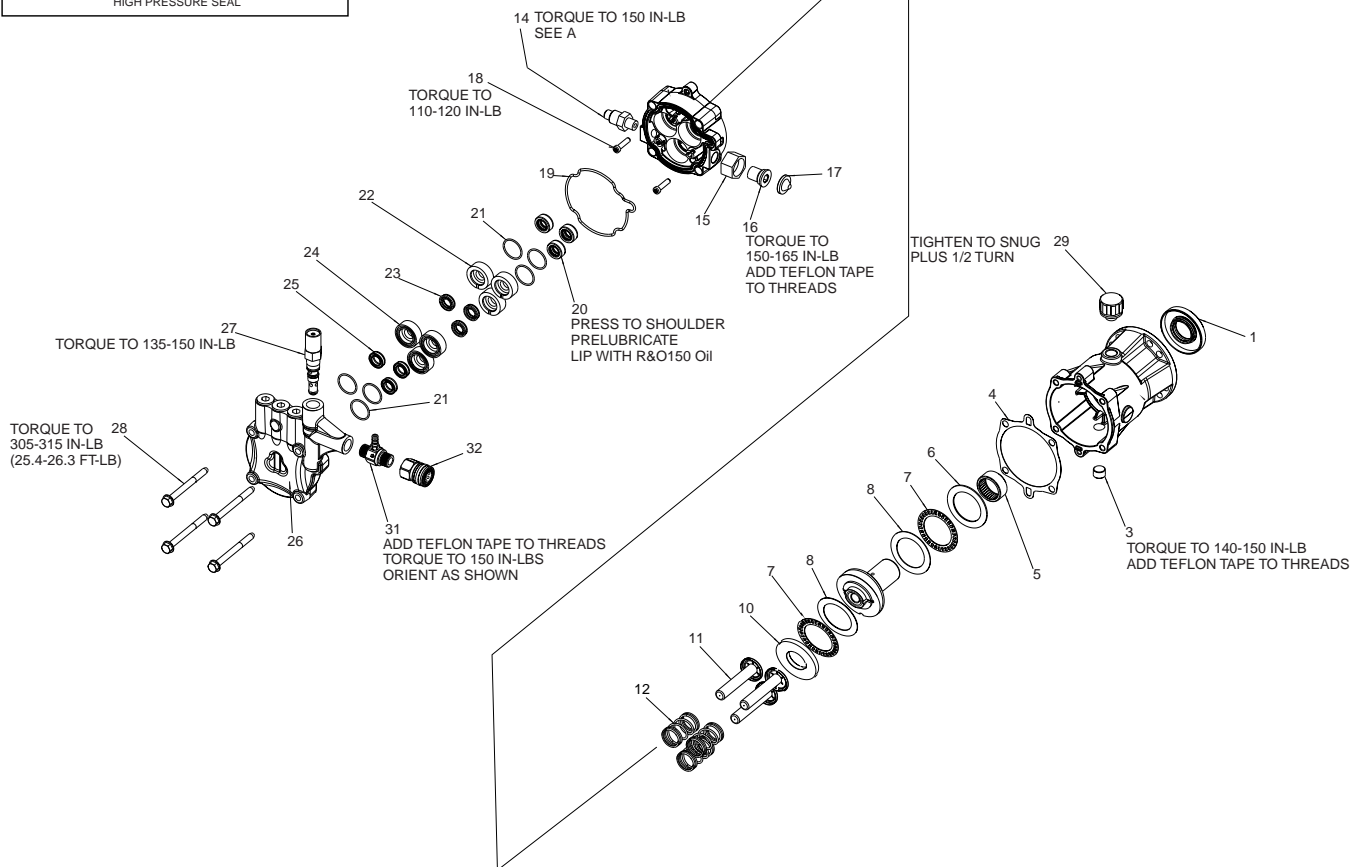
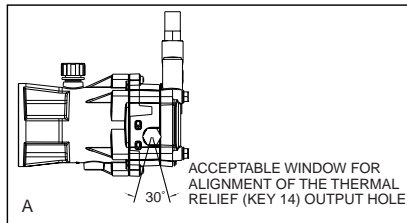
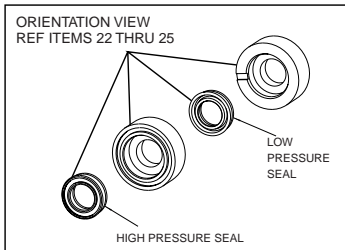
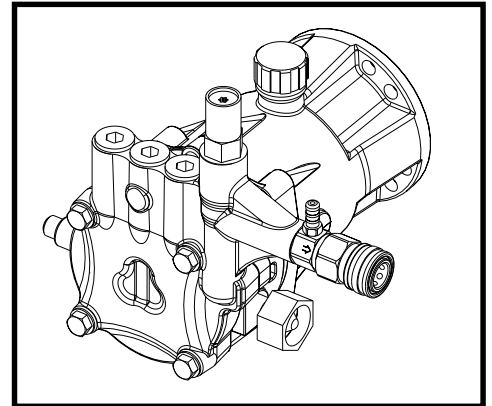
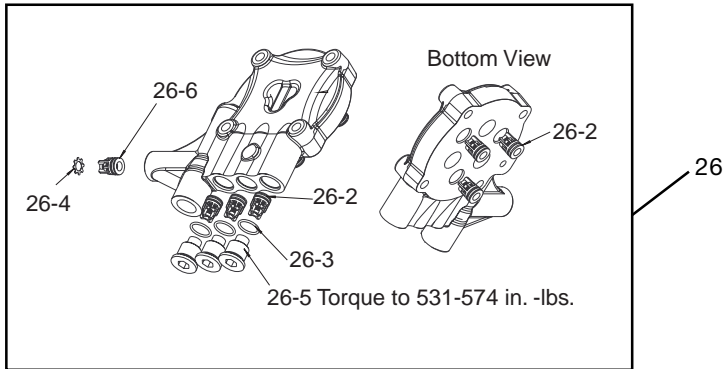


PK18206 - DeVILBISS PUMP

pump used on 3 gpm applications



PK18206 - DeVILBISS PUMP PARTS LIST

<u>Key#</u>	<u>Part #</u>	<u>Description</u>
1	*	Oil Seal
3	16364	Plug 3/8 NPTF
4	18110	Gasket, Cam Housing
5	*	Bearing Radial Needle
6	*	Thrust Washer (1 used)
7	*	Bearing Thrust (2 used)
8	*	Washer, Thrust (2 used)
10	16301	Washer, Thrust (1 used)
11	16340	Assembly Piston (3 used)
12	16912	Spring Piston (3 used)
14	17658	Thermal Relief
15	H061	Nut, Garden Hose Swivel
16	17701	Swivel, 3/8 NPT
17	F187	Screen
18	16358	Screw, 1/4 -20 x 1 (2 used)
19	16365	O-Ring, Journal Plate (1 used)
20	*	Seal, Piston Oil (3 used)
21	18176	O-Ring, Retainer (6 used)
22	18074	Seal, Retainer (3 used)
23	*	Seal, Leak Back (3 used)
24	18073	Seal, Retainer (3 used)
25	*	Seal, Water (3 used)
26	18143	Head Assembly
26-2	*	Assembly Valve (6 used)
26-3	16360	O-Ring Valve Plug #16 (3 used)
26-4	*	Retaining Ring
26-5	D21141	Plug Valve (3 used)
26-6	*	Assembly Valve 45 Degree
27	18139	Unloader
28	18111	Screw, (4 used)
29	16913	Oil Cap
31	17249	Chemical Injector
32	F035	Quick Disconnect

* Not available as an individual part, order the kit.

Kits available :

- 18301 Oil Seal Kit, contains Key #s 20 (qty 3), 1 (qty 1), 4 (qty 1)
- 17323 Valve Kit, contains Key#s 26-2 (qty 6), 26-4 (qty 1), and 26-6 (qty 1).
- 18246 Water Seal Kit contains Key#'s 25 (qty 3), 23 (qty 3), and 19 (qty 1)
- 17324 Bearing Kit contains Key #'s 5 (qty 1), 6 (qty 1), 7 (qty 2), 8 (qty 2), and 10 (qty 1)

NOTE: When ordering the bearing kit without the oil seal kit key#4 (18110 gasket) will be needed.

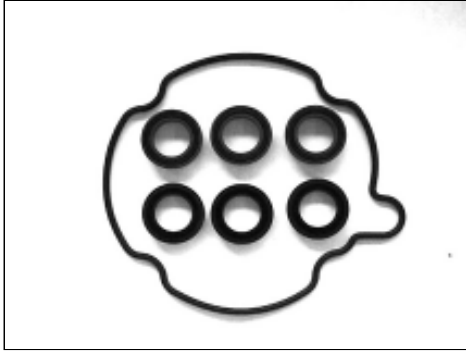
General Information:

- Uses R&O 150 oil -8oz. (If can not find use 30W non-detergent oil-8 oz)

PK18206 - DeVILBISS PUMP REPAIR KIT

18246 Water Seal Kit

contains Key#'s 19 (qty 1), 23 (qty 3), and 25 (qty 3)



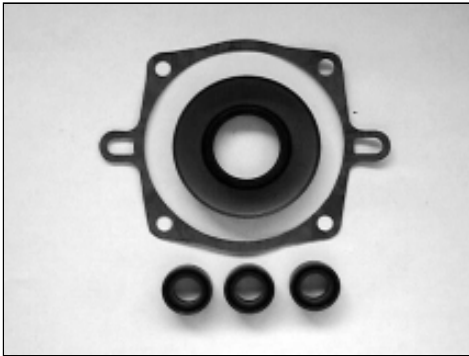
17323 Valve Kit

contains Key#s 26-2(qty 6), 26-4 (qty 1), and 26-6 (qty 1)



18301 Oil Seal Kit

contains Key #s 1 (qty 1), 4 (qty 1), 20 (qty 3)



17324 Bearing Kit

contains Key #'s 5 (qty 1), 6 (qty 1), 7 (qty 2), 8 (qty 2), and 10 (qty 1)

