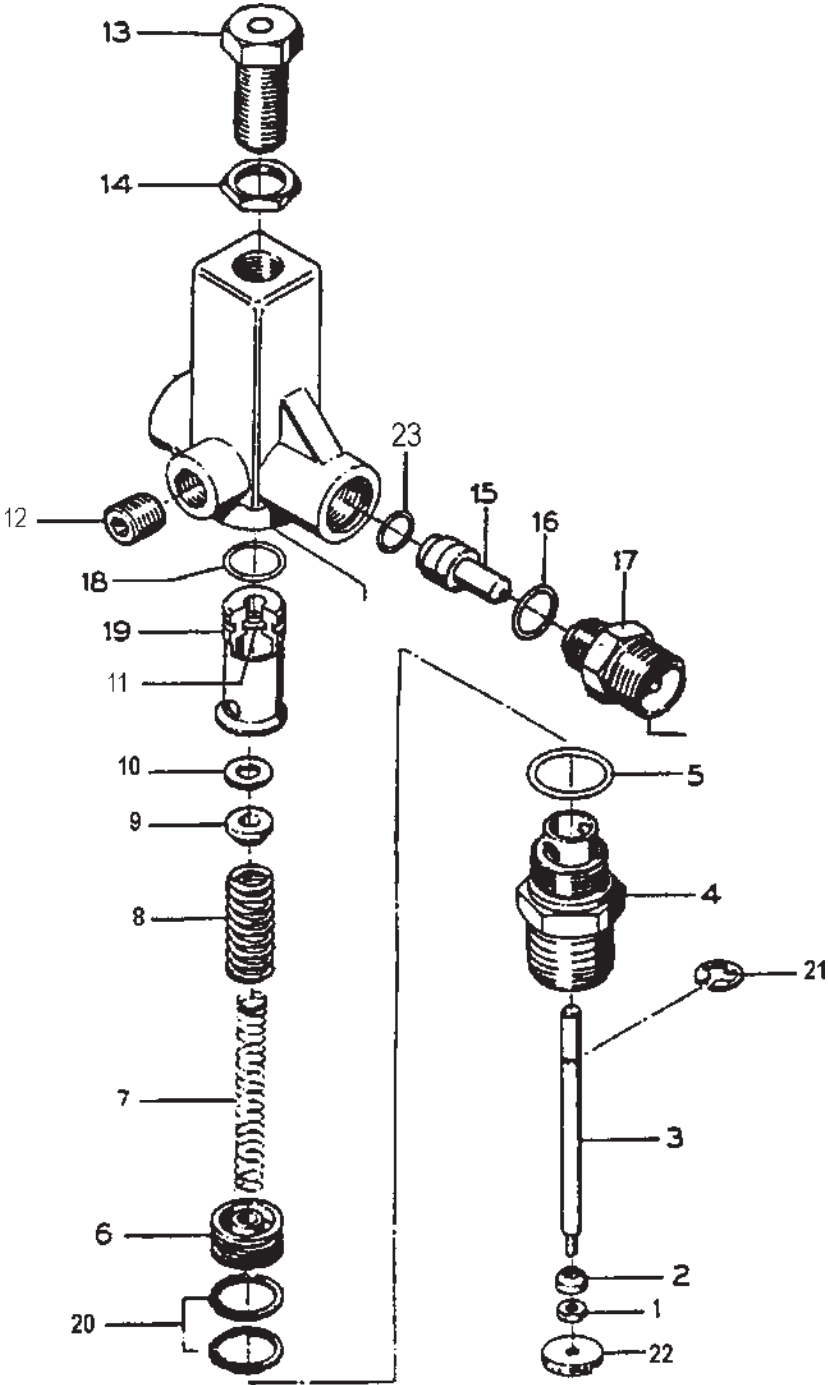


P724 - Unloader



P724 - GIANT UNLOADER PARTS LIST

<u>KEY #</u>	<u>PART #</u>	<u>DESCRIPTION</u>
* 1	GI22601	NUT
* 2	GI22602	VALVE CONE
* 3	GI22661	PISTON ROD
* 4	GI22660A	SEAT 1/2" FNPT X 3/4" MNPT
* 5	GI22640	SEAT O-RING
* 6	GI22696A	PISTON
* 7	GI22689	SPRING LOADER
* 8	GI22691	SPRING
* 9	GI22694	CONE WASHER
*10	GI22641	SHIM
*11	GI22608	O-RING
12	GI22610	1/4" PLUG
13	GI22612A	ADJUSTING SCREW
14	GI22627A	LOCK NUT
15	GI22617	ORIFICE
16	GI22618	NIPPLE O-RING
17	GI22664	NIPPLE
*18	GI22622	SLEEVE O-RING
19	GI22623	SLEEVE
*20	GI22697	O-RING
*21	GI22662	SNAP RING
*22	GI22642	BYPASS PLATE
23	GI22659	O-RING

*Parts are included only in KIT #GI22695A.

General Information:

- Used on P316 pump

P724 - GIANT UNLOADER REPAIR KIT

GI22695A Unloader Kit

