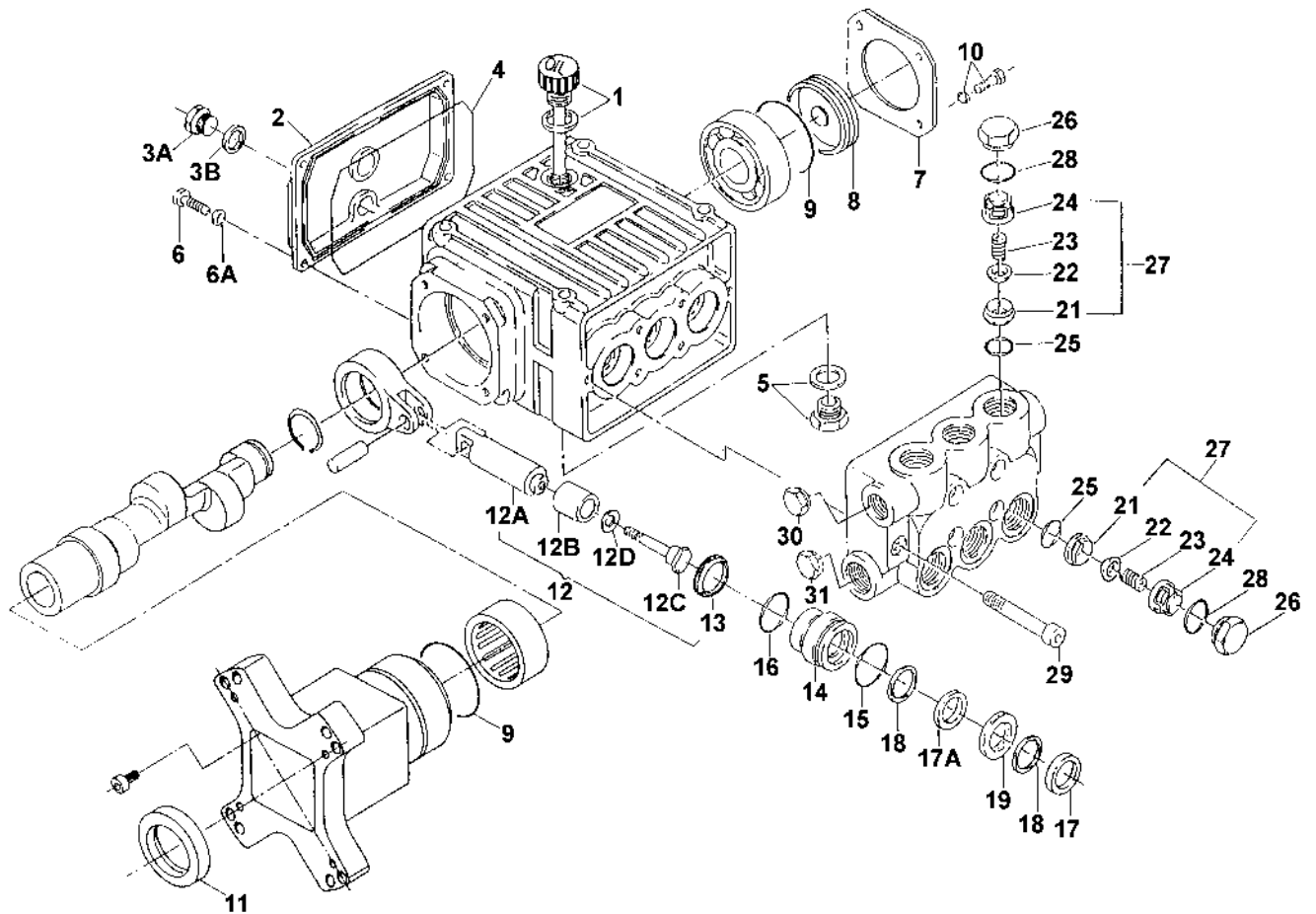
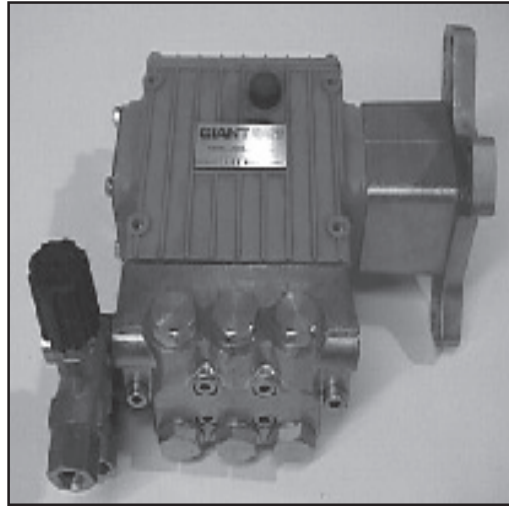


PK17205/P303 GIANT PUMP



PK17205/P303 GIANT PUMP PARTS LIST

<u>KEY #</u>	<u>PART NO.</u>	<u>DESCRIPTION</u>
1	GI08480	Dip Stick
2	GI80410	Crankcase Cover
3A	GI13261	Oil Drain Plug
3B	GI13262	Gasket
4	GI08328	O-Ring
5	GI08185	Oil Drain Plug with Gasket
6	GI07188	Screw
6A	GI07223	Spring Washer
7	GI08303	Bearing Cover I
8	GI13349	Sight Glass
9	GI07193	O-Ring
10	GI07225	Screw with Lock Washer
11	GI13272	Radial Shaft Seal
12	GI08453	Plunger Assembly Complete
12A	●	Plunger
12B	●	Plunger Pipe
12C	●	Tension Screw
12D	●	Copper Washer
# 13	GI08356-0010	Oil Seal
14	GI08458	Seal Adapter
15	GI07780	O-Ring
16	GI12027	O-Ring
* 17	GI08477	V-Sleeve
* 17A	GI08087	V-Sleeve, Weep
18	GI07904	Support Ring
19	GI08337	Weep Return Ring
21	□	Valve Seat
22	□	Valve Plate
23	□	Valve Spring
24	□	Valve Spring Retainer
+ 25	GI07853	O-Ring
26	GI07928	Valve Plug
+ 27	GI07946	Valve Assembly Complete
28	GI07913	O-Ring
29	GI08363	Hex Head Cap Screw, 6mm
30	GI13338	Plug, 3/8"
31	GI07109	Plug, 1/2"

- Not available individually, order key #12 GI08453 Complete Plunger Assembly.
- Not available individually, order key #27 GI07946 Complete Valve Assembly.
- * Included in KitG109119
- + Included in Kit GI09116
- # Included in Kit GI09144

General Information:

- 20W50 oil-14oz
- PK is used on P316/17205 Giant Pump kit contains: 17205 pump,15913 hose, S065 clamp, F035 Quick Connect, H100 Chemical Hose, 17237 Chemical Injector, 15605 thermal relief valve, 17098 inline filter, AR-1560640 adapter for easy start valve, 16877 Easy Start Valve,F078 5/16-18 lock washer, F467 Screw (qty 4 pump to adapter), 5/16-18 (qty 4 pump to adapter), 17238 pump oil,

PK17205/P303 GIANT PUMP REPAIR KITS

GI09144 Oil Seal Kit



GI09116 Valve Assy. Kit



GI09119 Plunger Packing Kit

