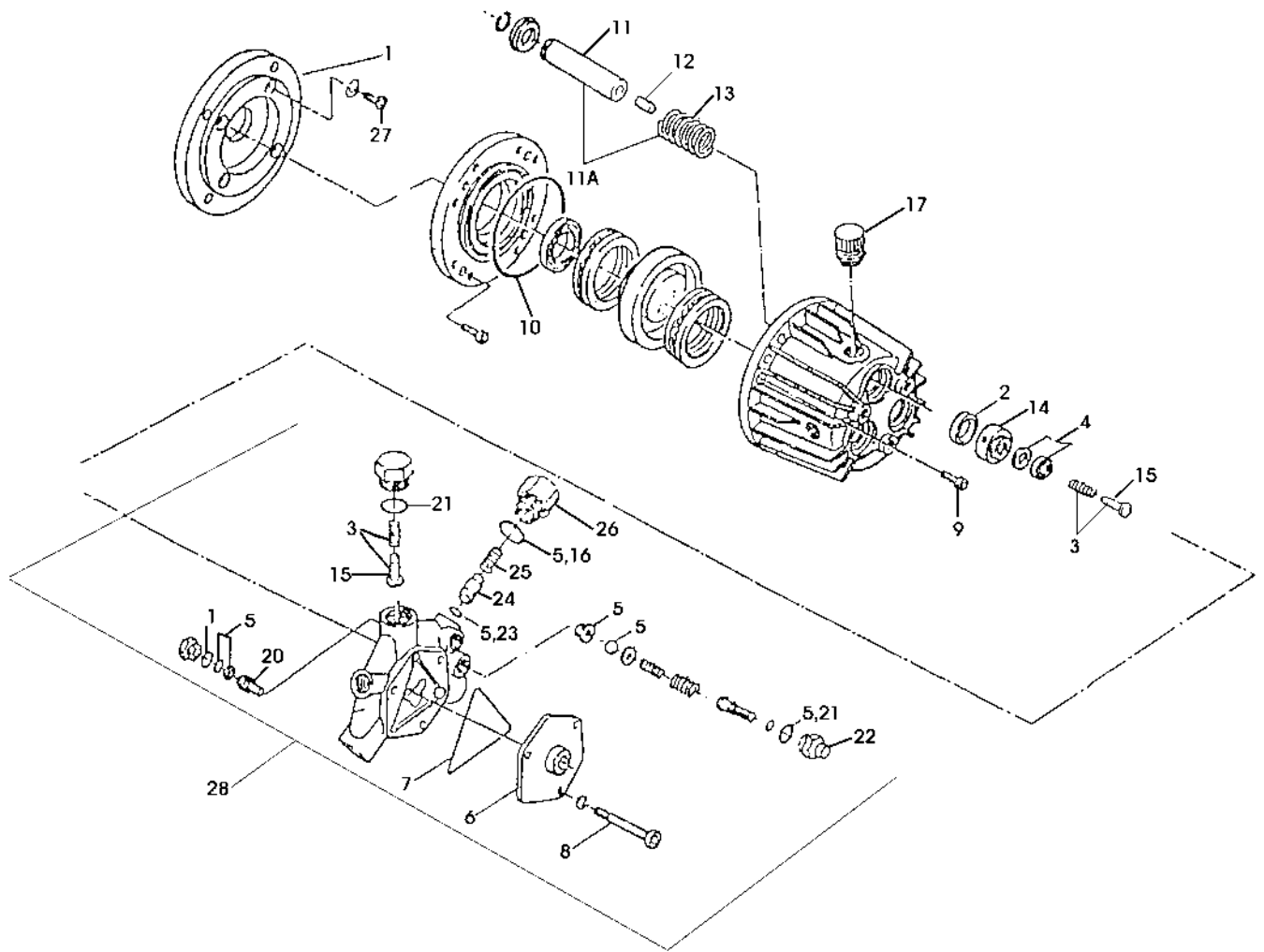


PKHR20 - GIANT



PHR20 - GIANT PARTS LIST

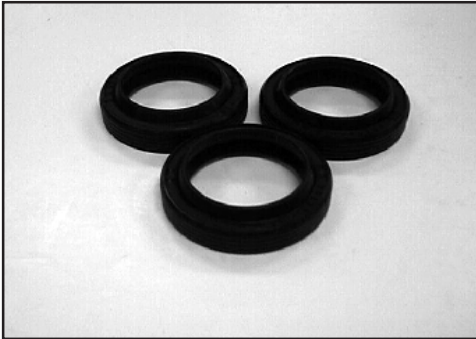
<u>Key#</u>	<u>Part #</u>	<u>Description</u>
1	PHR20AP	Adapter Plate
2	P781	Oil Kit
3	P783	Valve Kit
4	P782	Water/Packing Kit
5	P784	Unloader Kit
6	P785	Suction Flange
7	P786	O-ring (Formed)
8	15974	Stud Bolts (3)
9	15894	Socket Head Cap Screw 1/4"
10	16253	O-ring
11	15572	Plunger Assy.
11A	16154	Plunger Kit, Ceramic
12	16151	Insert, Plunger
13	16155	Plunger Spring
14	16232	Spacer Ring
15	15461	Valve Cone
16	15468	O-Ring
17	15457	Oil Fill Cap
20	15467	Piston
21	15465	O-ring
22	15464	Adjusting Plug
23	P915	O-Ring
24	P814	Kick Back Valve Cone
25	P217	Kick Back Valve Spring
26	15462	Kick Back Valve Spring Retainer
27	15184	Bolt
28	P806	Complete Manifold Kit

General Information:

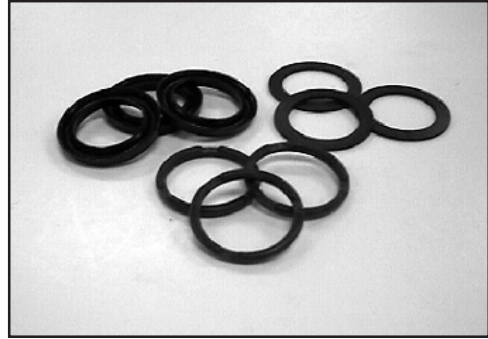
- 15125 Chemical Injector (not shown)
- Garden hose connectors- Male Adapter 15127
- High pressure connector – H121
- For replacement pump use PK16095

PHR20 - GIANT REPAIR KITS

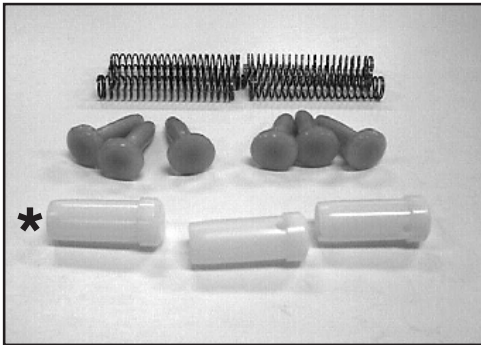
P781 Oil Seal Kit



P782 Water Seal Kit



P783 Valve Kit



P784 Unloader Kit



*** Only use the sleeves if the insert (Key #12) is damaged. Do not use the valve cones when using the sleeves.**