

WGCPH3040

3000psi @ 4gpm

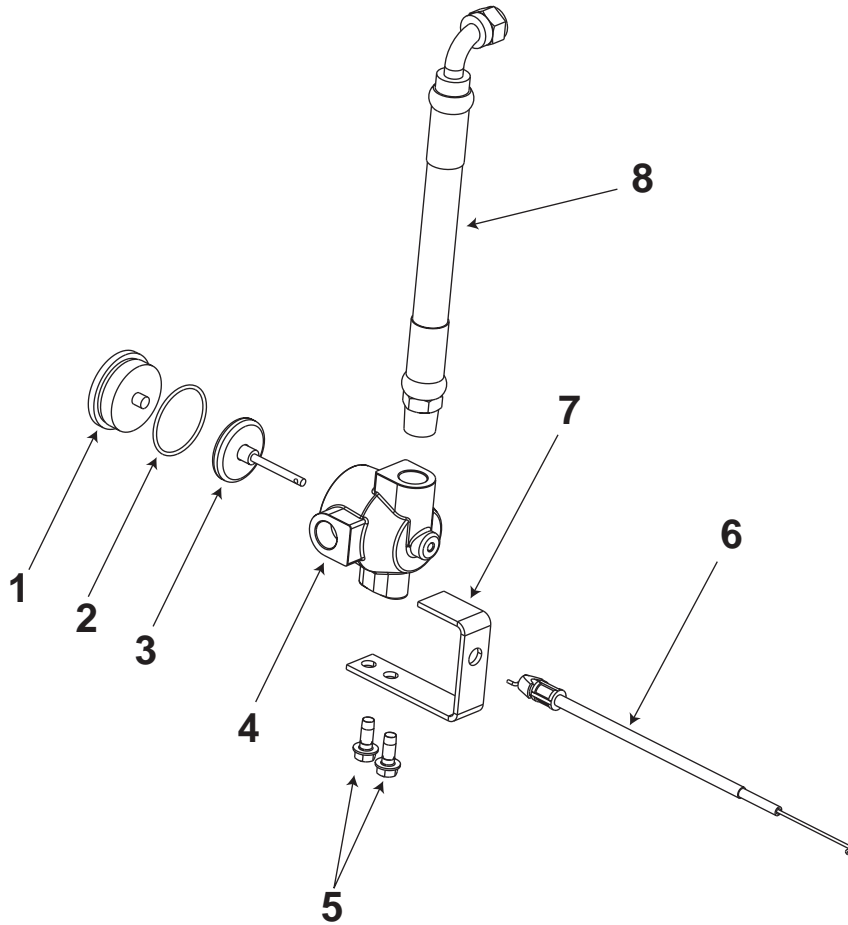
	Part Number	Description
Pump Information:	PK18281	Kit, Pump (AR#XMV4G30)
	* 17657	Thermal Relief Valve
	* 16776	Easy Start Valve
	* 17098	Inline Filter w/screen
	D21357	Replacement Filter
	* 15913	Hose
	* S065	Clamp
	* D20189	Chemical Injector
Engine Information:	GX-340K1QA	Engine, Honda 11 HP
	* M036	Key
	16990	Oil, 32 oz.
Frame Information:	18285	Frame
	✓ 18072	Rubber Grommet (holds nozzles)
	17926	Foot
	18282	Handle, Bagged
	# 16471	Knob (2)
	# 18286	Saddle Bolt (Used to attach Handle Knob)
	17623	Tire,Pneu
	F464	Pal Nut (2)
Hardware Information:		
Foot:	F064 (qty 2)	Screw, 5/16-16 x 1"
	16087 (qty 2)	Nut, Flangehead 5/16-18
Engine to Frame:	F486 (qty 4)	Screw,3/16-16
	F112 (qty 4)	Flatwasher, 3/8-16
	18098 (qty 2)	Nut, Flangehead 3/8-16
Pump to Engine:	* F107(qty 4)	lock Washer 3/8"
	* 15282	Screw, 3/8-16 x .5
Idle Down Assembly:	18302	Idle Down Assembly (See next page for breakdown)
Accessory Information:	D20802	Hose Assy
	▲ F035	Socket, 3/8 QC x 3/8 NPT Female
	▲ H043	Hi Pressure Hose, 3/8" x 50 ft
	17648	Lance, Quick -Connect
	+ 17775	Lance
	+ F037	Quick Connect
	17757	Trigger Gun Assy
	• 17699	Taped Plug, 3/8"
	• 16496	Trigger Gun, 3/8" Female
	* H100	Chemical Hose
	F035	Quick Connect, 3/8 " socket x 3/8 FPT
	✓ 17730	Nozzle Kit (4.5)
	18283	Bagged Parts
	# NCT001	Cleaning Tool
	# 16797	Allen Wrench
	# 17821	Video
Manual Information:	# D21684	Manual, General- English-Spanish
	✓ 15107	Manual, Engine



- * Included in Pump Kit
- ▲ Included in Hose Assembly
- # Included in Bagged Parts
- ✓ Included in Bagged Handle
- Included in Gun Assembly
- ◆ Will require special tool for assembly-see Service Flash section of this manual.

WGCPH3040 (con't)

18302 Idle Down Assembly



<u>Key No.</u>	<u>Part No.</u>	<u>Description</u>
*	18302	Idle Down Assembly
1	D20607	Plug, Idle Down
2	18311	O-Ring
3	18303	Piston Assembly
4	18304	Body Assembly
5	18310	Screw, 1/4-20
6	18345	Cable, Idle Down
7	18316	Bracket
8	18341	Hose, Idle Down

* Includes Key #'s1-4