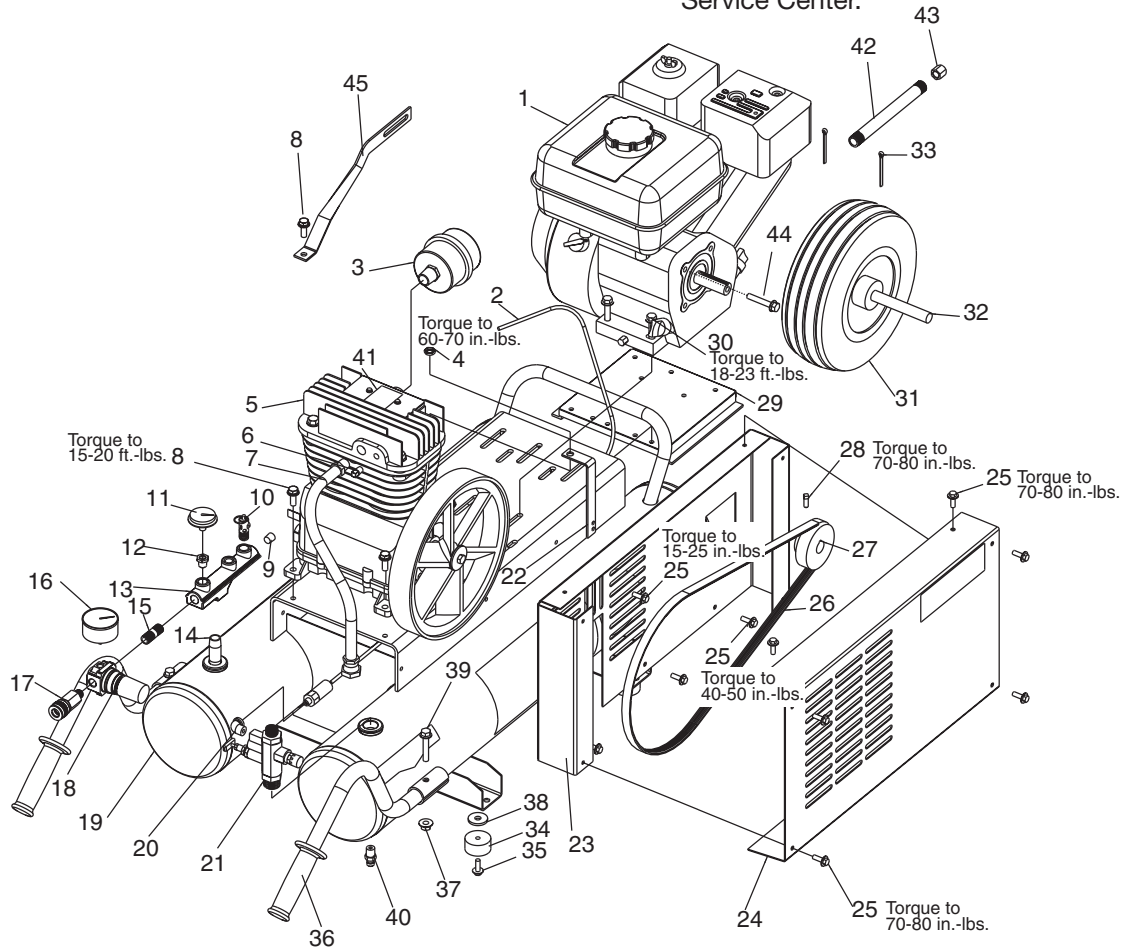


PORTER-CABLE®

Compressor

CPL55GH8W

WARNING: Electrical repairs should only be attempted by a trained service technician. Contact the nearest Porter-Cable Authorized Warranty Service Center.



No.	Part Number	Description	No.	Part Number	Description
1	*	Engine, Honda 5.5HP GX160	27	Z-C-PU-2862	Motor Pulley
2	D21236	Throttle Control	28	SS-391	Set Screw
3	AC-0330	Filter, Solberg 1/2 NPT	29	CAC-42-1	Plate, Stiffener
	AC-0331	Replacement Filter	30	SSF-3077	Screw, 5/16-18X1 1/2 HEX
4	SSF-8111-ZN	Nut, Lock 3/8-16	31	AC-0673	Wheel, 10"
5	Z-AC-0722	Pump Assembly	32	DAC-138	Axle
6	SS-1215	Plug, Pipe 3/8"	33	SSN-2406	Cotter Pin, 5/32X2
7	D21234	Outlet Tube	34	SST-108	Rubber Bumper
8	SSF-928	Screw, Hex Washer	35	91895680	screw, 1/4-20 x .75
9	SS-3222-CD	Pipe Plug	36	AC-0260-1	Handle Grip
10	TIA-4150	Safety Valve	37	SSF-644	Nut, Whiz Lock
11	GA-366	Gauge, Tank	38	SSW-7462	Spacer
12	SSP-6021	Bushing Reducer 1/8-1/4NPT	39	SSF-643	Screw, Flanged
13	CAC-95	Manifold	40	AC-0430	Drain Valve
14	SS-2108	Nipple, 3/8 X 2	41	LA-3108	Label, Hot Surface
15	SS-2071	Nipple, 1/4-18 NPT X 1.5	42	D21656	Oil Drain Extension
16	Z-D20644	Gauge, Regulator	43	D21657	Cap
17	D20675	Quick Connect, 1/4NPT	44	SSF-611	Screw, 5/16-24 x 3/4
18	D20698	Regulator	45	D21669	Bracket, Stiffener
19	Z-D21237	Tank Assembly	Not Illustrated		
20	SSP-535	Elbow, 1/8 NPT	• LA-3255	Label, Drain Tank Warning	
21	D21235	Unloader Valve	• LA-3020	Label, Warning	
22	D21434	Bracket, Belt Guard	* Contact local engine dealer for engine repair parts		
23	D21230	Belt Guard, Inside			
24	D21232	Belt Guard, Outside			
25	91895680	Screw, 1/4 - 20 X .75			
26	C-BT-224	Belt, V			

PORTER-CABLE®

CPL55GH8W

No.	Part Number	Description
43	SSF-6627	Stud 3/8" - 16 Taptite (1 used - Torque 25 to 30 ft. lbs.)
44	SSF-935	Screw #8-32 x 3/8" (2 used)
45	AC-0322	Filter Plate Assembly
46	* AC-0333	Felt Filter
47	SSF-955	Screw 3/8"-16 x 1-1/2" (5 used - Torque 25 to 30 ft. lbs.)
48	Z-CAC-4213	Head Assembly (includes 2 ea. Key #50 & 4 ea. Key #51)
49	* Z-CAC-291-1	Head Gasket
50	• 265-25	Intake Flapper Valve (2 used on head)
51	• SSF-9821	Screw, THD Forming 5-40x1/4 (8 used)
52	CAC-294	Restrictor Plate (2 used)
53	• Z-265-196-1	Flapper Valve with Corner Bevels (2 used on valve plate)
54	Z-CAC-4212-1	Valve Plate Assembly (includes 4 ea. Key #51 & 2 ea. Key #52 & 53)
55	* Z-CAC-54-2	Valve Plate Gasket
56	+ Z-CAC-56-1	Compression Ring (4 used)
57	+ Z-CAC-58	Oil Ring (4 used)
58	+ Z-CAC-57	Oil Ring Expander (2 used)
59	Z-CAC-55-1	Piston (2 used)
60	Z-265-19	Piston Pin (2 used)
61	CAC-207	Piston Pin Plug (4 used)
62	Z-265-410	Connecting Rod Assembly (2 used Includes two SSF-927 screws)
63	SSF-927	Screw 1/4"-20 x 1-1/8" (2 used)
64	Z-AC-0205	Crankcase and Cylinder
65	SST-104	Ball Bearing (2 used)
66	SSP-486	Pipe Plug, 3/8-18" NPT (2 used)
67	* SSP-505	Oil Plug
68	DAC-276	Base
69	* 265-16-1	Base Gasket
70	Z-AC-0203	Crankshaft
71	SSF-925	Screw 1/4 - 20 x 7/8" (8 used)
72	SSN-1018	Wavy Spring Washer
74	265-2	Flywheel
75	SSN-1014-ZN	Washer
76	SSF-3039-ZN	Screw
77	* AC-0169	Oil Seal
78	265-6	Vent Filter

Kits Available

- + Key No. 56, 57, 58 only available in Ring Kit KK-4313.
- Key No. 50, 51 and 53 only available in Valve Kit KK-4275.
- * Key No. 46, 49, 55, 67, 69, 77, and 78 are available in Gasket Kit K-0159.

