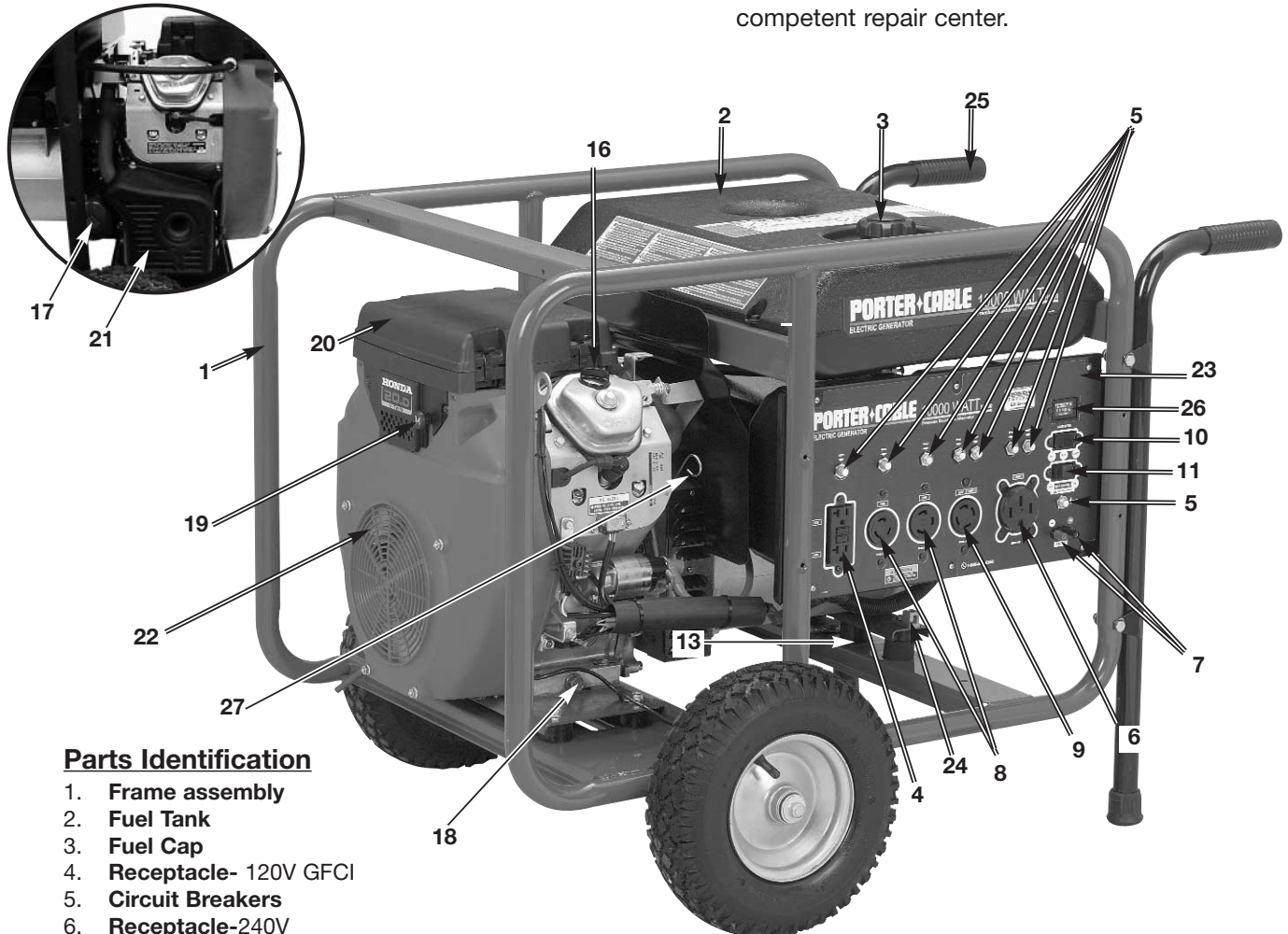


PORTER-CABLE® GENERATOR

H1000

WARNING: Electrical repairs should only be attempted by trained repairmen. Contact the nearest Porter-Cable Service Center or other competent repair center.



Parts Identification

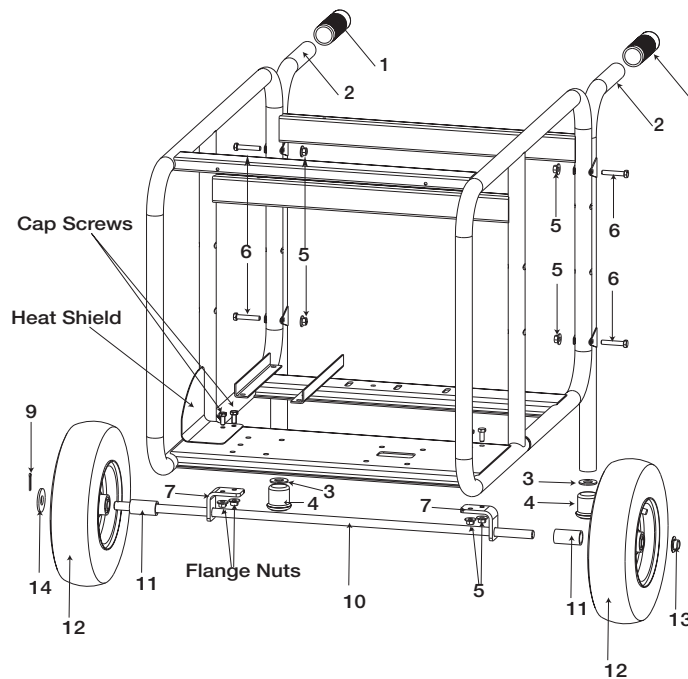
1. **Frame assembly**
2. **Fuel Tank**
3. **Fuel Cap**
4. **Receptacle- 120V GFCI**
5. **Circuit Breakers**
6. **Receptacle-240V**
7. **Outlet 12V/10A DC-** Can be used to charge 12V batteries.
8. **Receptacle-120V 3-Prong Twist Lock**
9. **Receptacle-120/240V 4-Prong Twist Lock**
10. **"Off"/"Run"/"Start" Switch-**Will start engine when placed in the START position. Will stop engine when placed in the OFF position.
11. **Idle Control Switch-** When in the ON position allows the engine to run at a lower speed when there is no load on the generator. This will lower the engine noise, save on fuel consumption, and engine life. When in the OFF position engine will run 3600 RPM's continuous with or without a load.
12. **Battery Frame** (not shown)
13. **Vibration Isolator**
14. **Generator Housing** (not shown)
15. **Low Oil Sensor** (not shown)
16. **Oil Fill**
17. **Oil Filter**
18. **Oil Drain Plug**
19. **Choke**
20. **Air Filter**
21. **Exhaust Muffler**
22. **20 HP Honda Engine-** Included with this generator is a copy of the Engine Manufacturer's Operator's Manual. See this manual for more detail on the engine.
23. **Cover Panel**
24. **Grounding Lug-** This is the attachment point for a ground wire to an external earth ground.
25. **Wheel/Handle Kit-** Included with this generator to make portability easier.
26. **Hour Meter-** Measures the number of hours the engine has been run to aid in service scheduling.
27. **Dipstick**

H1000

Maintenance and Accessory Parts

Part No.	Qty.	Description
D21762	1	Air Filter
D21760	1	Fuel Filter
GS-0225	2	Fuel Line
SSP-510	2	Fuel Line Clamps
GS-0795	1	Fuel Tank
91895680	4	Fuel Tank Screws
GS-0863	1	Fuel Cap
GS-0033	4	Isolators
D21761	1	Oil Filter
D22769	1	Spart Arrester

Wheel Kit Repair Parts



Key

No.	Part No.	Description	Qty.
1	GS-0220	Handle Grip	2
2	GS-0584	Handle Assembly	2
3	91890228	5/8" Washer	2
4	GS-0221	End Caps	2
5	SSF-8150	Nut, Hex Whiz Lock	6
6	SSF-999-1	Screw	2
7	D21720	Wheel Bracket	2
8	SS-12-CD	Cap Screw, 5/16-18 X 3/4	4
9	SSN-622	Cotter Pin	1
10	D21722	Axle	1
11	GS-0213	Axle Spacer	2
12	D21721	Wheel	2
13	SSF-591	5/8" Axle Cap	1
14	SSN-623	Flat Steel Washer	1