

## Pressure Washer

WARNING: Repairs should only be attempted by a trained service technician. Contact the nearest Porter-Cable Authorized Warranty Service Center.



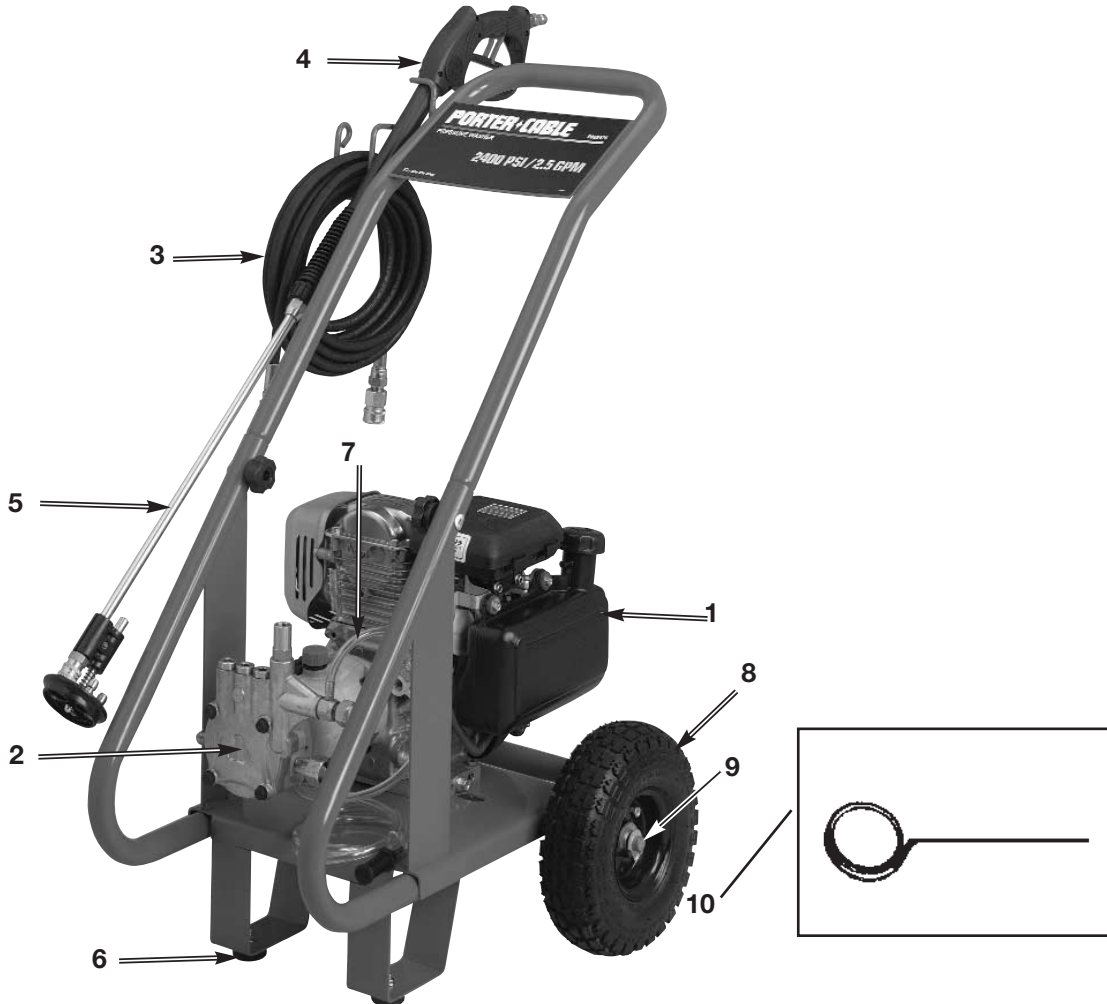
1	*	4 HP Briggs & Stratton Engine
2	^	DAPC- Radial Vertical Pump (D22306)
3	17781	High Pressure Hose
4	17780	Trigger Gun
5	15227	Lance
6	NCT001	Nozzle Cleaning Tool
	16797	Allen Wrench
7	H140	Chemical Hose
8	D22275	Tire
9	W137	Pal Nut
10	D22268	Foot

\* Contact your local engine dealer for parts and service.

^ Contact an Authorized Warranty Service Center near you, call **1-888-559-8550**.

## Pressure Washer

WARNING: Repairs should only be attempted by a trained service technician. Contact the nearest Porter-Cable Authorized Warranty Service Center.



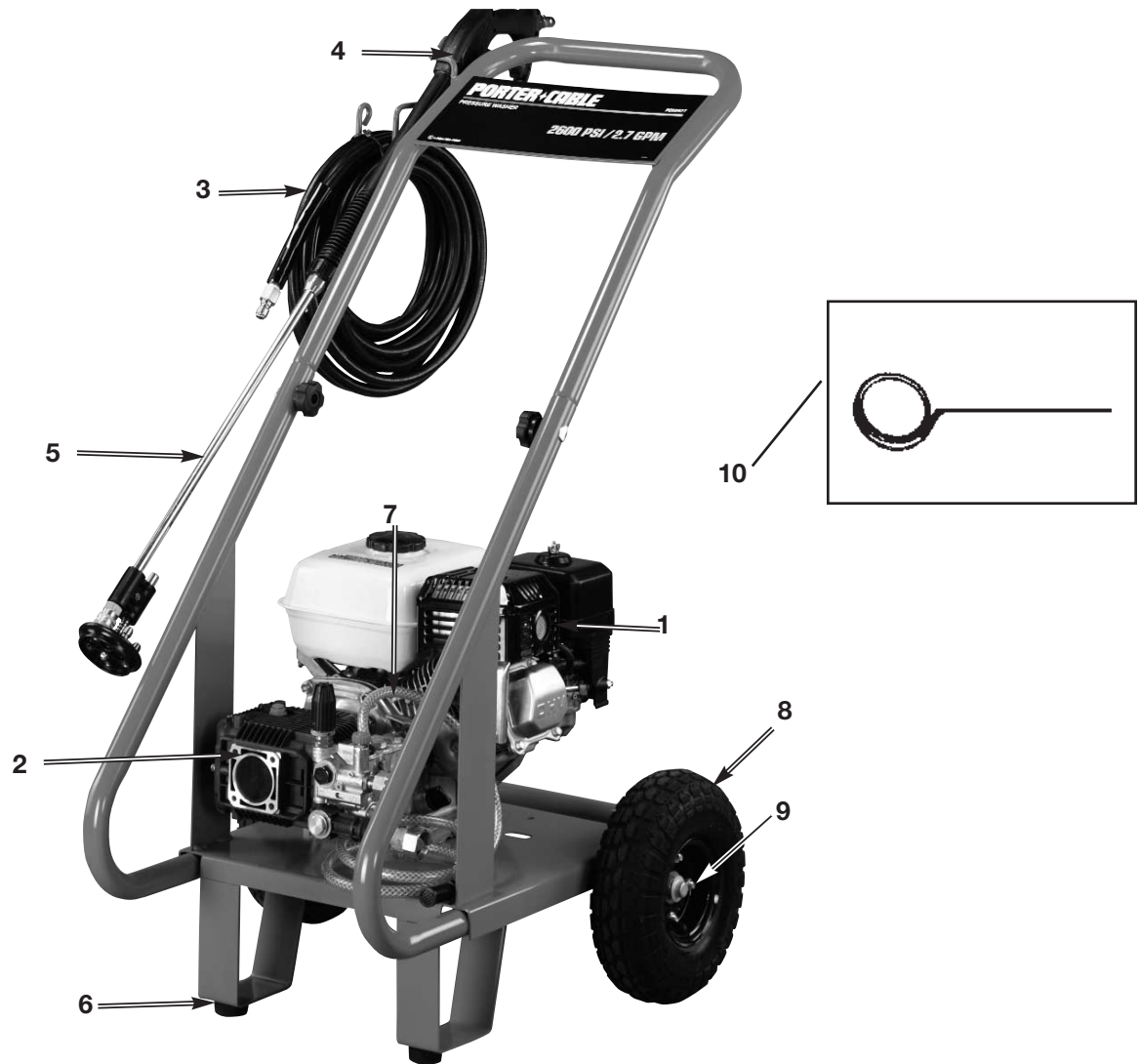
1	*	5HP Honda Engine Model Number GC160
2	^	DAPC Axial Cam (PK18219)
3		D22693 High Pressure Hose Assembly with quick connet
4		D22183 Trigger Gun
5		18265 Quick Connect Turret Wand with nozzles
6		D22268 Foot (qty 2)
7		H140 Chemical Hose
8		D22101 Tire
9		F464 Pal Nut
10		NCT001 Nozzle Cleaning Tool

\* Contact your local engine dealer for parts and service.

^ Contact an Authorized Warranty Service Center near you, call **1-888-559-8550**.

## Pressure Washer

WARNING: Repairs should only be attempted by a trained service technician. Contact the nearest Porter-Cable Authorized Warranty Service Center.



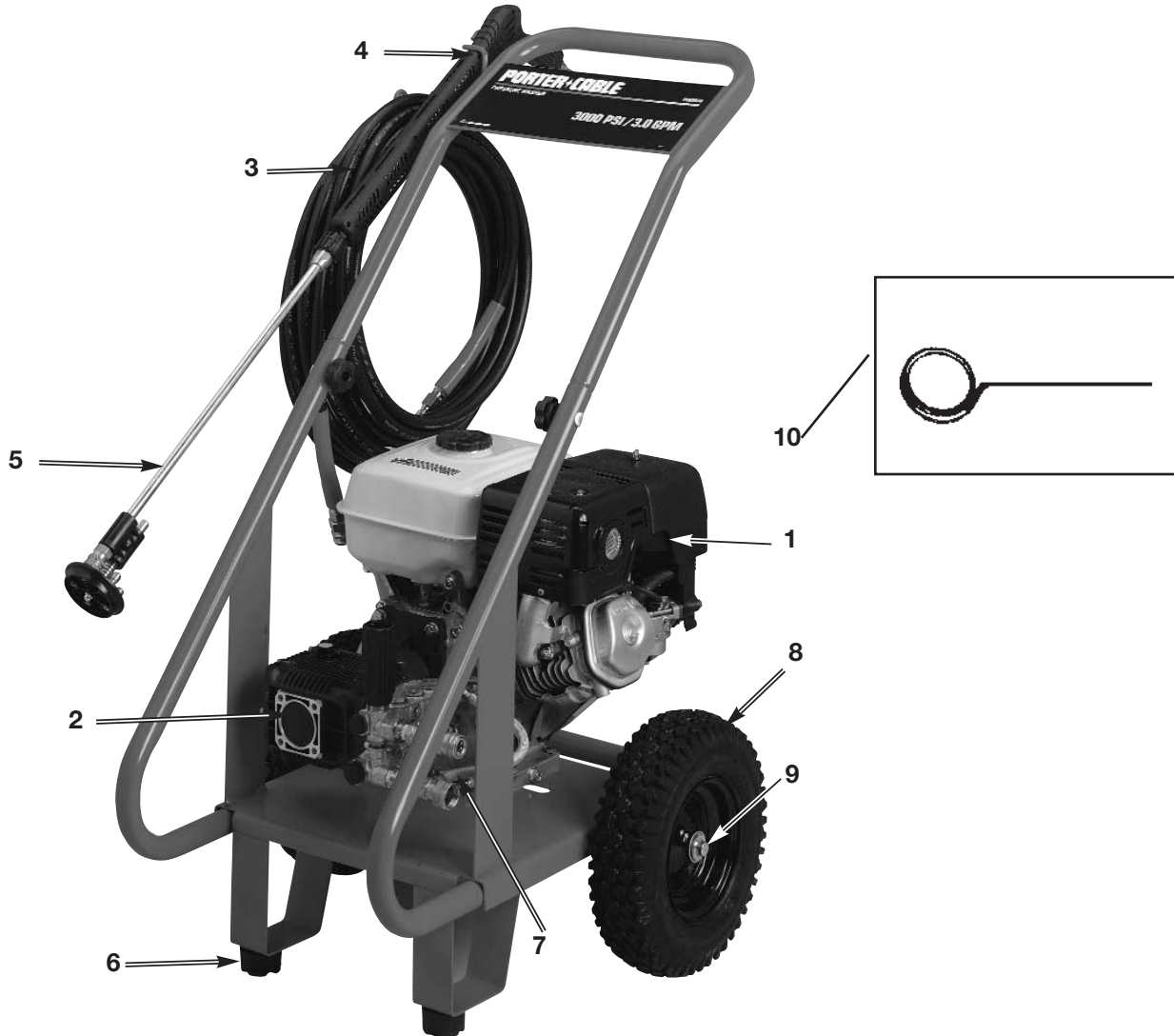
- |    |        |   |
|----|--------|---|
| 1  | *      | 6.5 HP Honda Engine Model Number GX200        |
| 2  | ^      | AR High Pressure Pump (D22291)                |
| 3  | 17758  | High Pressure Hose Assembly with quick connet |
| 4  | D22183 | Trigger Gun                                   |
| 5  | D22080 | Quick Connect Turret Wand with nozzles        |
| 6  | D22268 | Foot (qty 2)                                  |
| 7  | H140   | Chemical Hose                                 |
| 8  | D22101 | Tire  |
| 9  | F464   | Pal Nut                                       |
| 10 | NCT001 | Nozzle Cleaning Tool                          |

\* Contact your local engine dealer for parts and service.

^ Contact an Authorized Warranty Service Center near you, call **1-888-559-8550**.

## Pressure Washer

WARNING: Repairs should only be attempted by a trained service technician. Contact the nearest Porter-Cable Authorized Warranty Service Center.



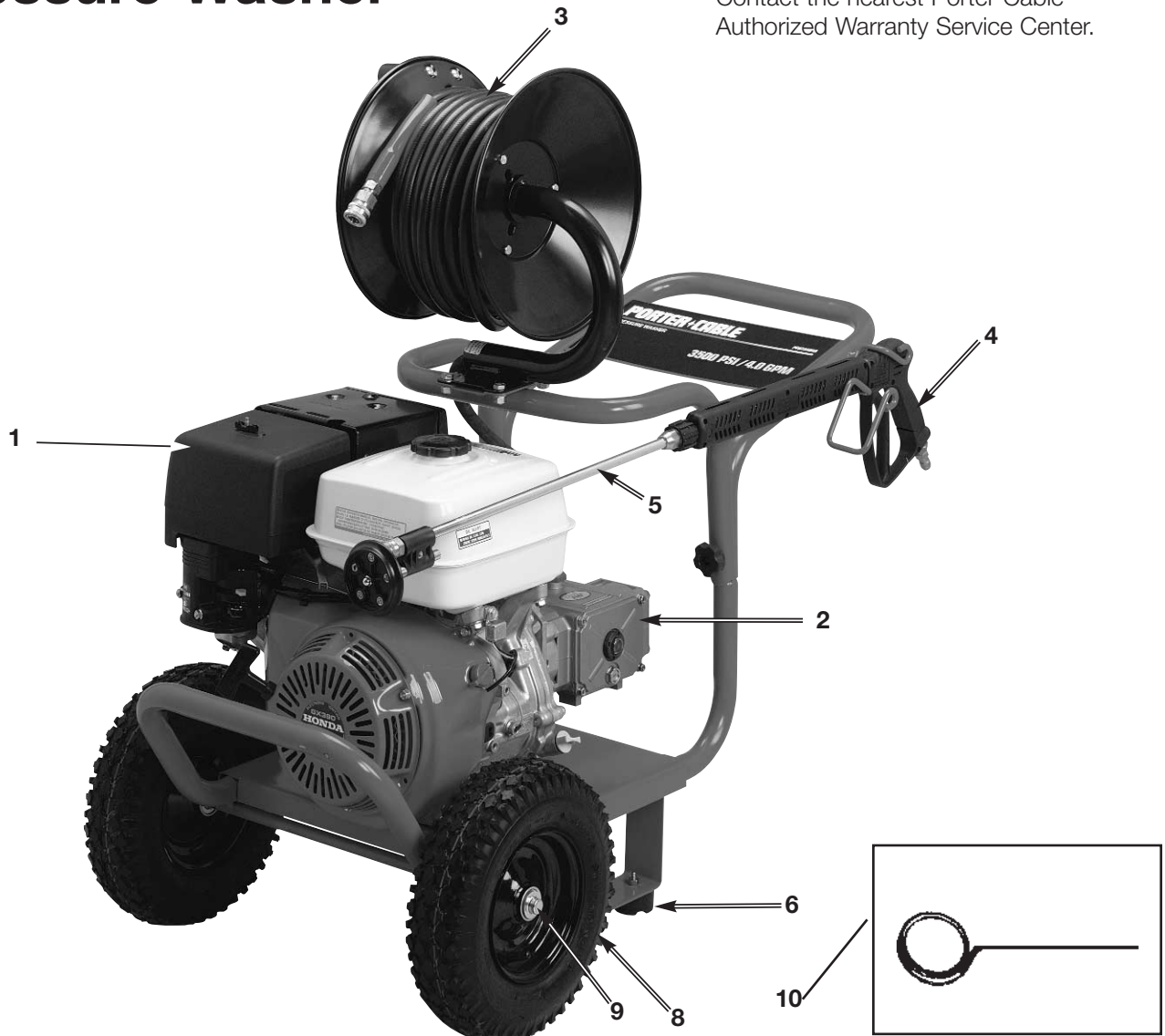
- |    |        |   |
|----|--------|---|
| 1  | *      | 8HP Honda Engine Model Number GX240           |
| 2  | ^      | AR High Pressure Pump (PK16852)               |
| 3  | D20802 | High Pressure Hose Assembly with quick connet |
| 4  | D22183 | Trigger Gun                                   |
| 5  | 18265  | Quick Connect Turret Wand with nozzles        |
| 6  | D22268 | Foot (qty 2)                                  |
| 7  | H100   | Chemical Hose                                 |
| 8  | D22101 | Tire  |
| 9  | F464   | Pal Nut                                       |
| 10 | NCT001 | Nozzle Cleaning Tool                          |

\* Contact your local engine dealer for parts and service.

^ Contact an Authorized Warranty Service Center near you, call **1-888-559-8550**.

## Pressure Washer

WARNING: Repairs should only be attempted by a trained service technician. Contact the nearest Porter-Cable Authorized Warranty Service Center.



- |    |   |   |
|----|---|---|
| 1  | * | 13HP Honda Engine Model Number GX390                  |
| 2  | ^ | CAT High Pressure Pump (D23158)                       |
| 3  |   | D22700 High Pressure Hose Assembly with quick connect |
| 4  |   | D22184 Trigger Gun                                    |
| 5  |   | 18249 Quick Connect Turret Wand with nozzles          |
| 6  |   | D22268 Foot (qty 2)                                   |
| 7  |   | H100 Chemical Hose (not shown)                        |
| 8  |   | D22180 Tire   |
| 9  |   | F464 Pal Nut  |
| 10 |   | NCT001 Nozzle Cleaning Tool                           |

\* Contact your local engine dealer for parts and service.

^ Contact an Authorized Warranty Service Center near you, call **1-888-559-8550**.

# NOTES

# NOTES

**PORTER+CABLE®**