

PORTER-CABLE

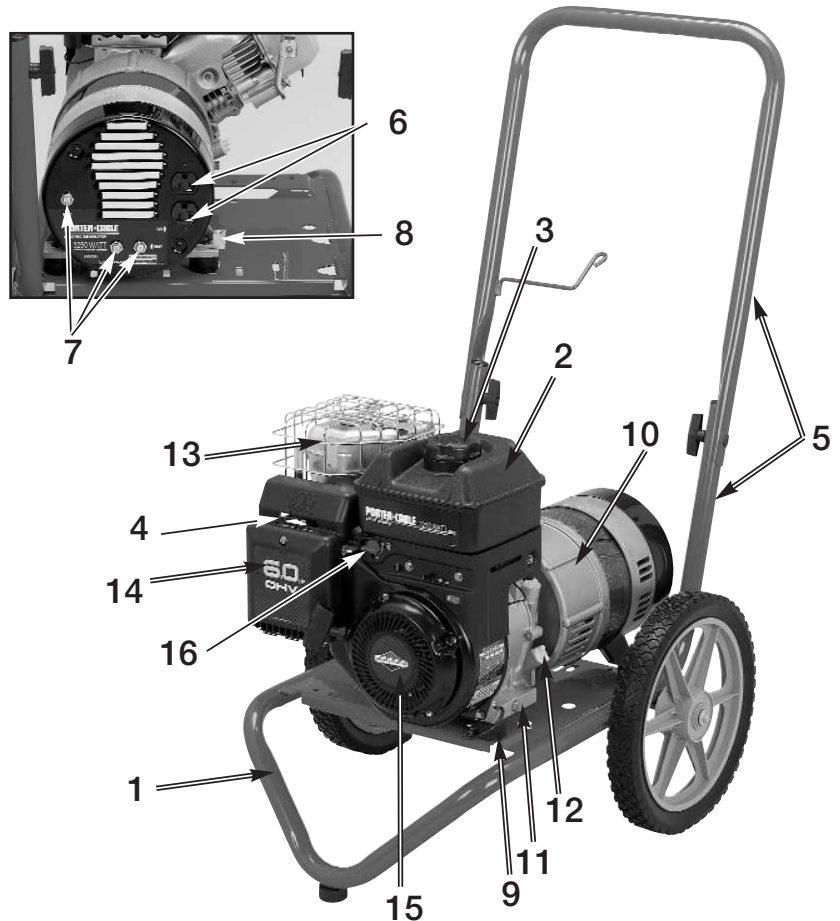
GENERATOR

DBSI325

WARNING: Electrical repairs should only be attempted by trained repairmen. Contact the nearest Porter-Cable Service Center or other competent repair center.

Parts Identification

1. **Frame assembly**
2. **Fuel Tank**
3. **Fuel Cap**
4. **Choke Control**
5. **Folding handle and oversized wheels** for maximum portability.
6. **Receptacle- 120V 20 Amp Duplex**
7. **Circuit Breaker**
8. **Grounding Lug-** This is the attachment point for a ground wire to an external earth ground.
9. **Vibration Isolators**
10. **Generator Housing**
11. **Oil Drain Plug**
12. **Oil Filler Cap**
13. **Exhaust Muffler**
14. **Air Filter**
15. **6 HP B&S Engine model #121412-175-** Included with this generator is a copy of the Engine Manufacturer's Operator's Manual. See this manual for more detail on the engine.
16. **Fuel Shut-off Valve**



Maintenance and Accessory Parts

Part No.	Qty.	Description
SST-108	3	Isolators
D23219	1	Air Filter
GS-0900	1	Spark Arrester
RC12YC	1	Spark Plug — may be purchased locally