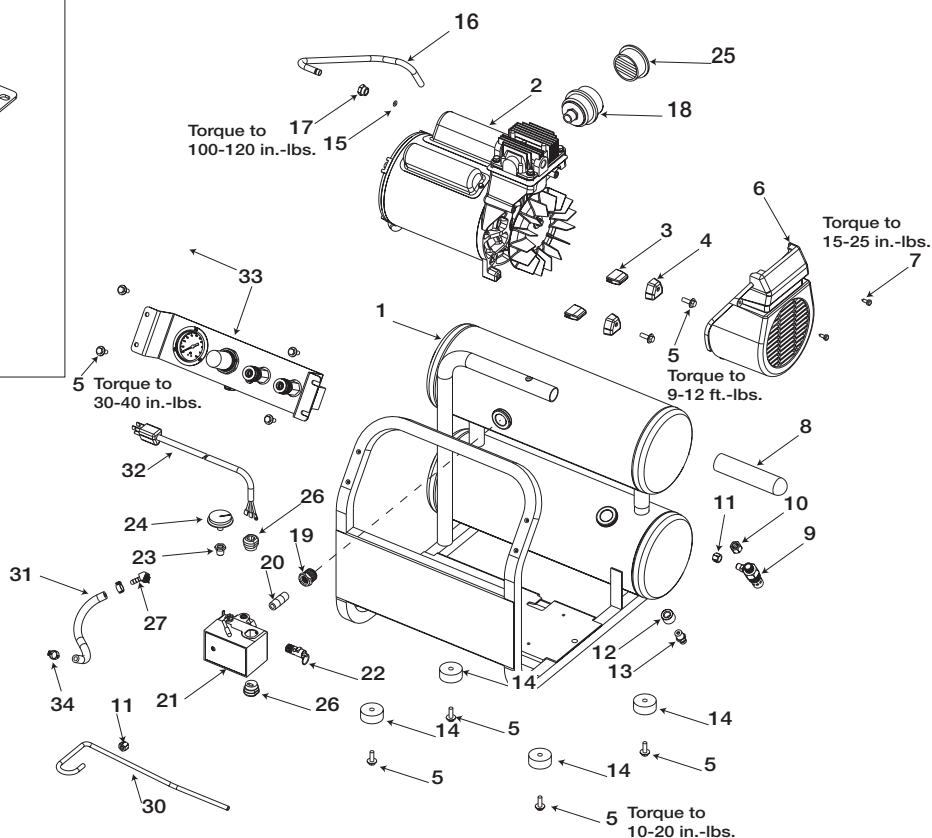
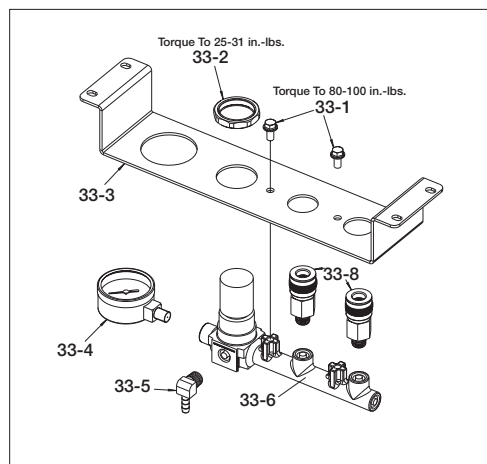


PORTER-CABLE

Side Stack Compressor

CPF23400S-2

WARNING: Electrical repairs should only be attempted by trained repairmen. Contact the nearest Porter-Cable Service Center or other competent repair center.



Key

| Key No. | Part Number | Description |
|---------|-------------|----------------------------|
| 1 | Z-D20695 | Air Receiver Assembly |
| 2 | See Page 2 | Pump Assembly |
| 3 | ACG-19 | Isolators |
| 4 | ACG-18 | Cup Saddle Mount |
| 5 | 91895680 | Screw 1/4 - 20 X .75 |
| 6 | D20653 | Mini Shroud |
| 7 | ACG-408 | Fastener Assembly |
| 8 | AC-0261 | Handle Grip |
| 9 | AC-0631 | Check Valve |
| 10 | SSP-7813 | Nut Sleeve Assembly 3/8" |
| 11 | SSP-7811 | Nut Sleeve Assembly 1/4" |
| 12 | SSP-512 | Bushing Facing 1/2 X 1/4 |
| 13 | AC-0430 | Drain Valve |
| 14 | SST-108 | Rubber Bumper |
| 15 | SSG-3105 | O-Ring |
| 16 | D20694 | Outlet Tube |
| 17 | SSP-7821-1 | Nut, Tubing 3/8"OD |
| 18 | K-0286 | Solberg Filter Kit |
| 19 | SSP-517 | Bushing Reducer |
| 20 | D23699 | Nipple, 1/4 NPT X 1.5 |
| 21 | Z-AC-0809 | Pressure Switch |
| 22 | TIA-4150 | Safety Valve |
| 23 | SSP-6021 | Bushing Reducer 1/8-1/4NPT |
| 24 | Z-D23004 | Gauge |
| 25 | AC-0281 | Filter Element Replacement |

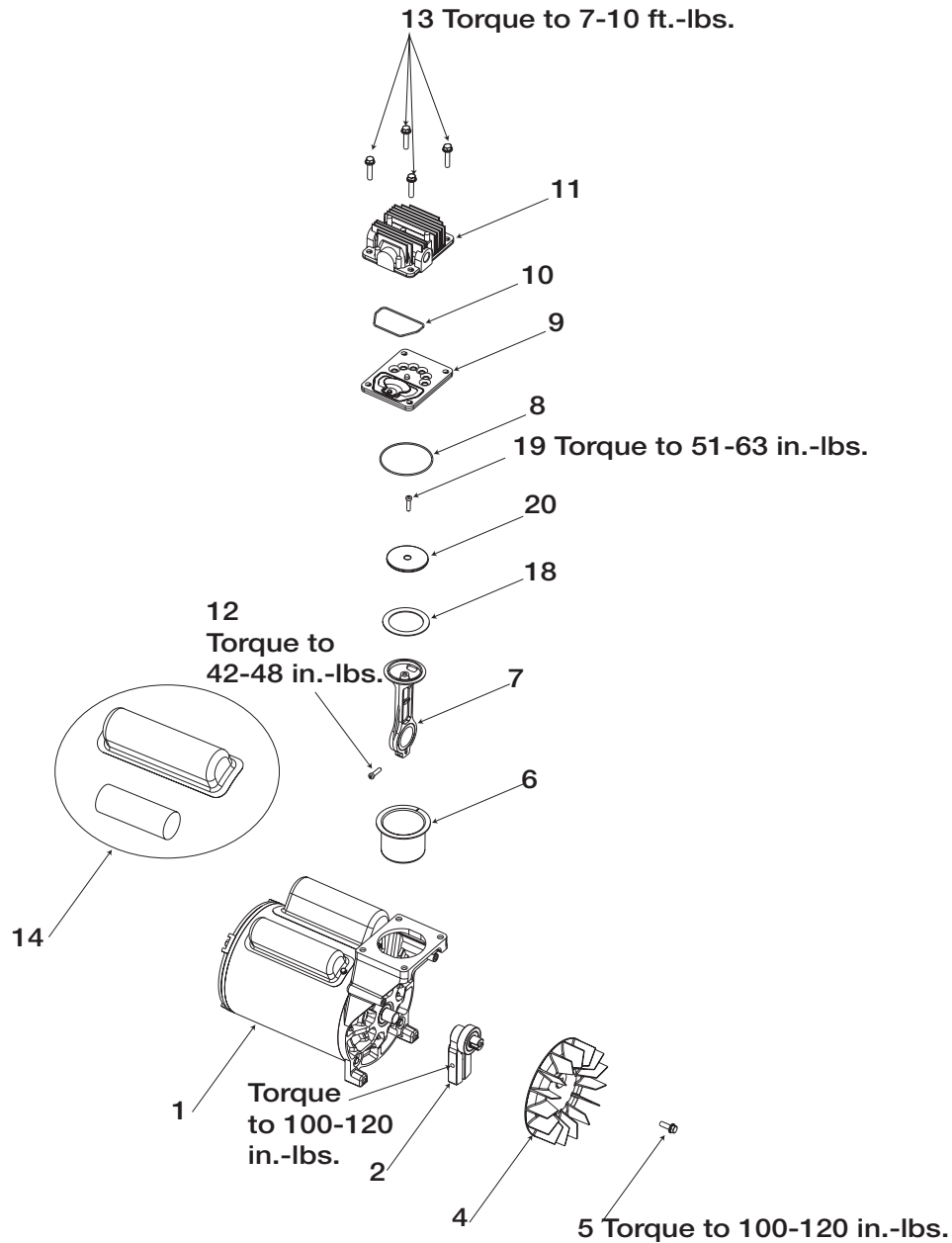
Key

| Key No. | Part Number | Description |
|---------|-------------|--------------------------------|
| 26 | SSW-7367 | Strain Relief Bushing |
| 27 | D23299 | Fitting, 45° Elbow Barbed |
| 30 | D21105 | Pressure Release Tube |
| 31 | H-7051 | Rubber Hose 1/4" x 10" |
| 32 | AC-0539 | Power Cord Assembly |
| 33 | ----- | See Individual Components |
| 33-1 | D21172 | Screw, .250-20 x .500 |
| 33-2 | D20155 | Ring Regulator Hi-Flow |
| 33-3 | D23947 | Console Panel |
| 33-4 | Z-D24437 | Gauge -1/8 NPT |
| 33-5 | SSP-537 | Fitting, 90° Elbow Barbed |
| 33-6 | D24044 | Regulator/Manifold w/Pipe Plug |
| 33-8 | D20675 | Quick Connect 1/4NPT |
| 34 | CAC-1206-1 | Hose Clamp |

Not Illustrated

| | |
|---------|--|
| LA-2828 | Label, Hot Surface |
| D23071 | Label, English/Spanish/French Warning |
| LA-2900 | Label, Drain Tank Warning |
| LA-3115 | Label, Pressure Switch Warning |
| D23065 | Label, MaintenanceEnglish/Spanish/French |

CPF23400S-2



| Key No. | Part Number | Description |
|---------|-------------|---|
| 1 | Z-D21681 | Motor |
| 2 | Z-AC-0140 | Eccentric Bearing Assembly Includes eccentric, bearing, and screw |
| 4 | AC-0108 | Fan |
| 5 | SSF-586 | Screw 1/4 -20 UNC x .75 |
| ✓ 6 | ----- | Cylinder Sleeve |
| ✓ 7 | ----- | Connecting Rod Assembly |
| ✓ 8 | SSG-8156 | O-Ring |
| 9 | Z-AC-0032 | Valve Plate Assembly |

| Key No. | Part Number | Description |
|---------|-------------|--------------------------|
| ✓ 10 | ACG-45 | O-Ring |
| 11 | D24041 | Head |
| ✓ 12 | SSF-3158-1 | Screw, 10-24 x .75 |
| 13 | SSF-927 | Screw 1/4-20 x 1.125 |
| 14 | D21216 | Kit, Start Cap and Cover |
| ✓ 18 | ----- | Compression Ring |
| ✓ 19 | ----- | Screw |
| ✓ 20 | ----- | Compression Ring Cap |

- ✓ KK-4835 Piston/Cylinder kit
- K-0650 Cylinder Sleeve/Compression Ring kit