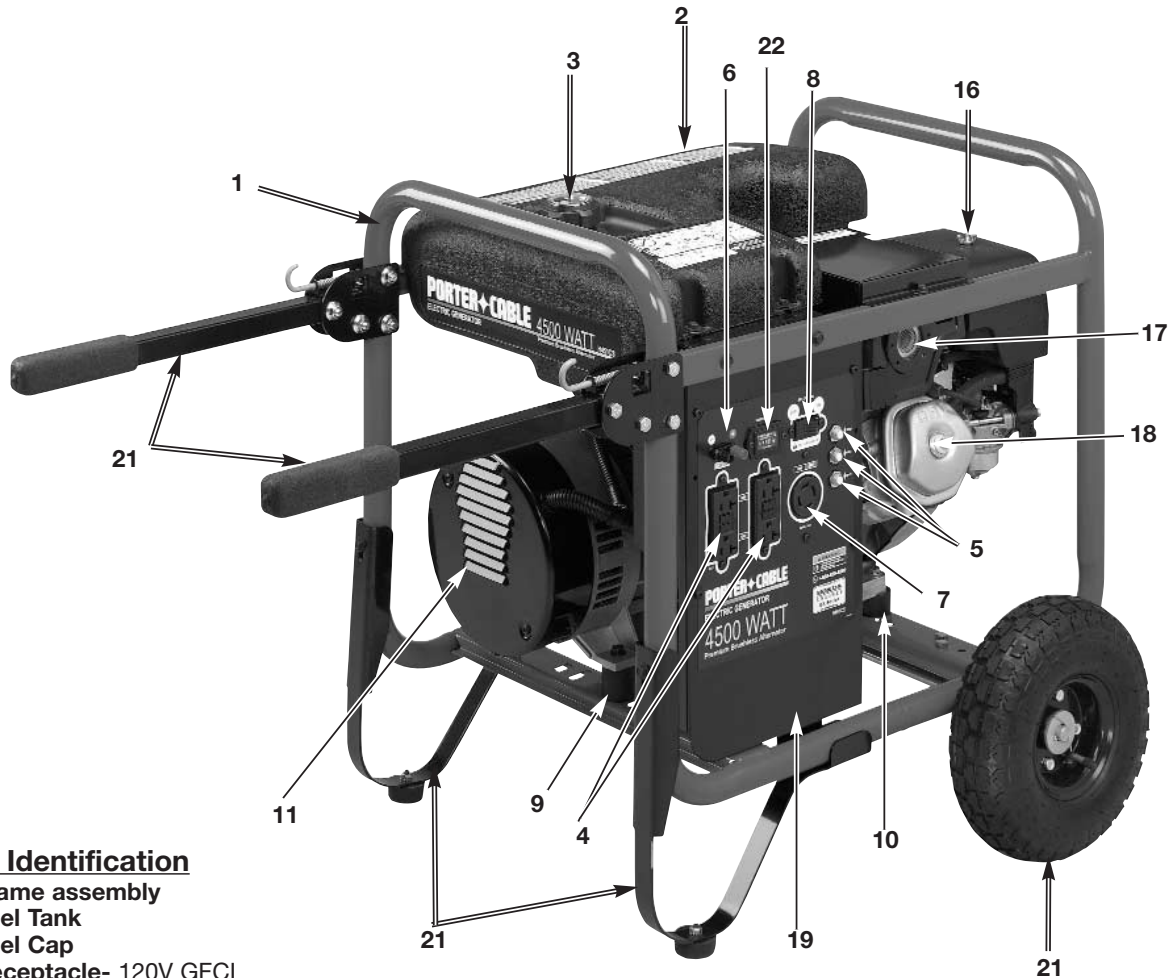


# PORTER+CABLE® GENERATOR

## H451CS-W

**WARNING:** Electrical repairs should only be attempted by trained repairmen. Contact the nearest Porter-Cable Service Center or other competent repair center.



### Parts Identification

1. **Frame assembly**
2. **Fuel Tank**
3. **Fuel Cap**
4. **Receptacle- 120V GFCI**
5. **Circuit Breakers**
6. **Outlet 12V/10A DC-** Can be used to charge 12V batteries.
7. **Receptacle-4-Prong Twist Lock**
8. **Idle Control Switch-** When in the ON position allows the engine to run at a lower speed when there is no load on the generator. This will lower the engine noise, save on fuel consumption, and engine life. When in the OFF position engine will run 3600 RPM's continuous with or without a load.
9. **Vibration Isolator (GS-0433)**
10. **Vibration Isolator (GS-0033)**
11. **Generator Housing (not shown)**
12. **Low Oil Sensor (not shown)**
13. **Oil Fill (not shown)**
14. **Oil Drain Plug (not shown)**
15. **Choke (not shown)**
16. **Air Filter**
17. **Exhaust Muffler**
18. **9 HP Honda Engine-** Included with this generator is a copy of the Engine Manufacturer's Operator's Manual. See this manual for more detail on the engine.
19. **Panel Assembly**
20. **Grounding Lug (not shown)-**This is the attachment point for a ground wire to an external earth ground.

21. **Wheel/Handle Kit-** Included with this generator to make portability easier.
22. **Hour Meter-** Measures the number of hours the engine has been run to aid in service scheduling.

### Maintenance and Accessory Parts

Part No.	Qty.	Description
GS-0548	1	Air Filter
GS-0459	1	Fuel Filter
Z-GS-0225	2	Fuel Line
SSP-510	1	Fuel Line Clips
GS-0227	4	Clamp Fuel Line
GS-0560	1	Clamp Fuel Line
Z-GS-0650-1	1	Fuel Tank
91895680	4	Fuel Tank Screws
D24086	1	Fuel Cap
GS-0033	2	Isolators
GS-0433	2	Isolators
GS-0549	1	Spart Arrester
BPR6ES (NKG)	1	Spark Plug - may be purchased locally