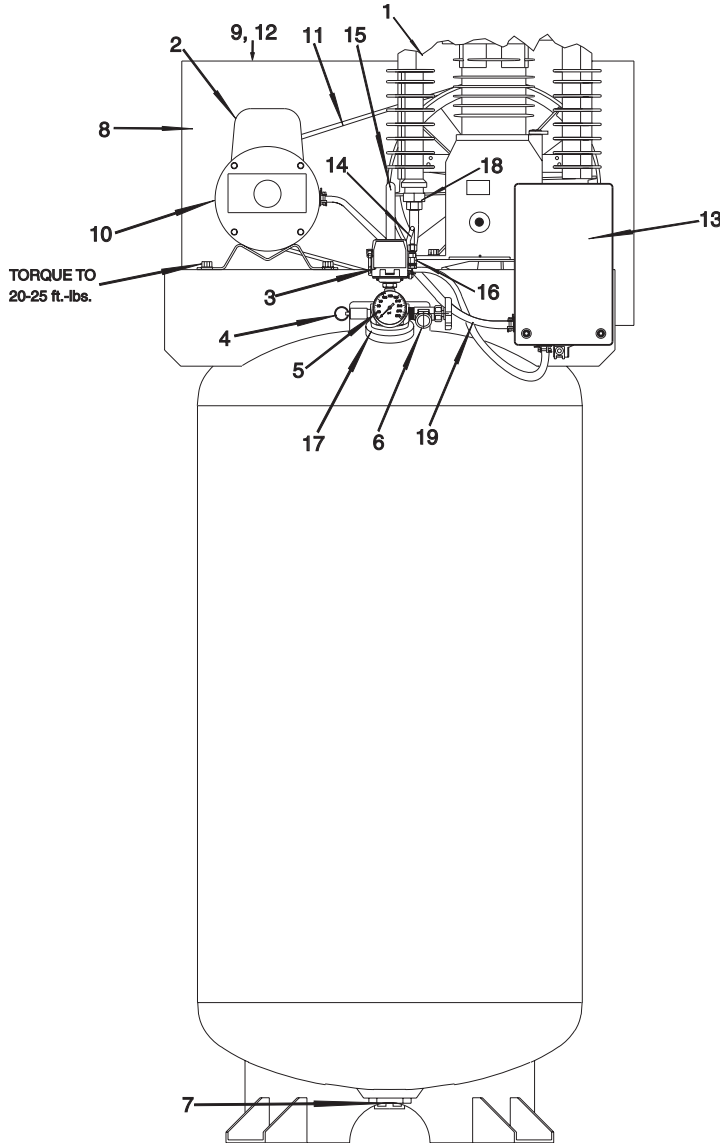


PORTER-CABLE

Two-Stage Oilube Compressor

CPLMC7580V2C

WARNING: Electrical repairs should only be attempted by trained repairmen. Contact the nearest Porter-Cable Service Center or other competent repair center.



Torque	Description
145-165 in.-lbs.	Pulley Set Screw
32.5 ft.-lbs.	Head Bolts
32.5 ft.-lbs.	Flywheel Bolt
20-25 ft.-lbs.	Motor Mounting Bolts

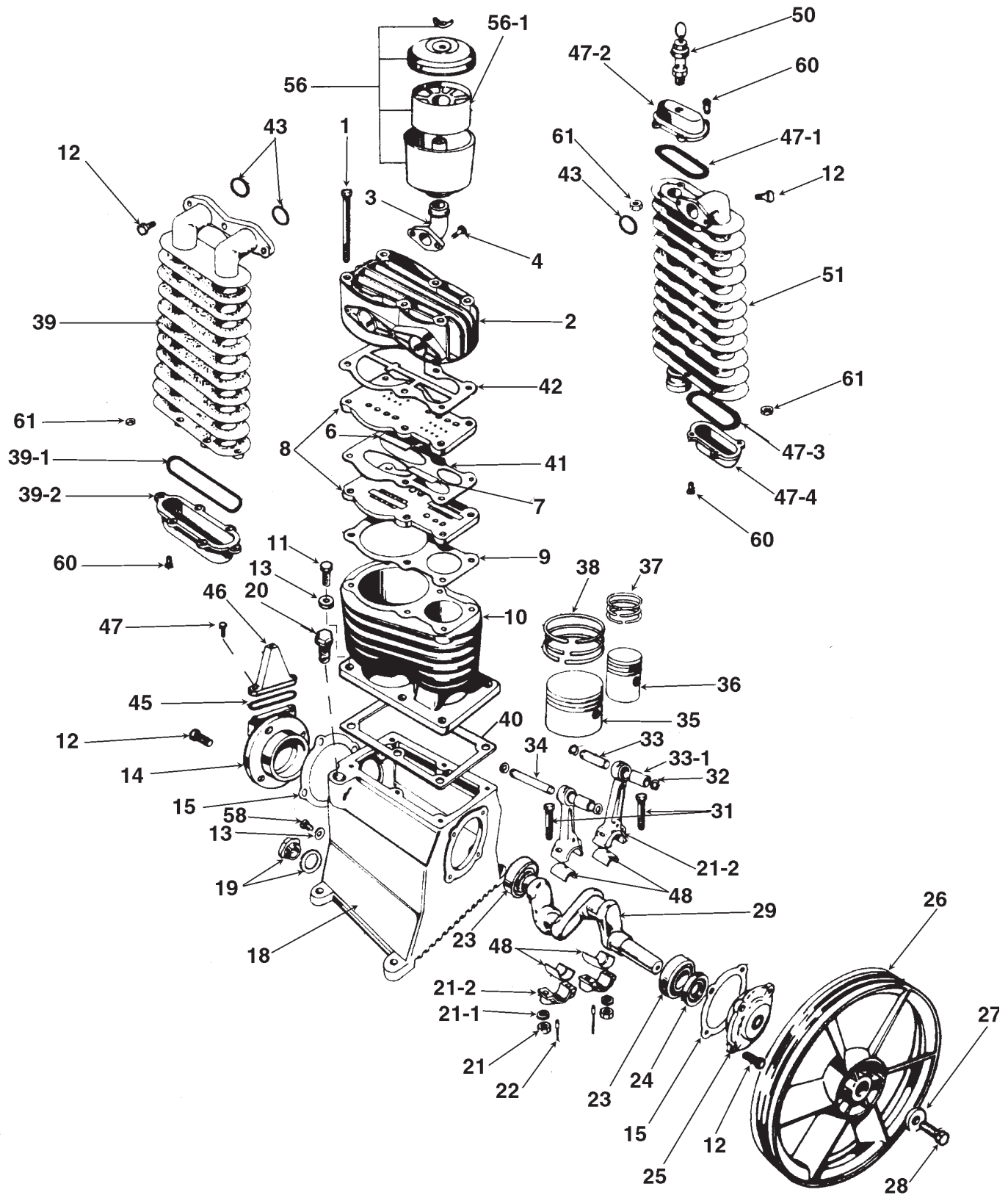
Key No.	Part Number	Description
1	Z-D21381	Pump Assembly
2	Z-MO-9071	Motor
3	Z-D20596	Pressure Switch Assembly
4	TIA-4200	Safety Valve
5	GA-360-B	Pressure Gauge
6	SSV-6-B	Ball Valve
7	SS-2707	Drain Valve
8	AC-0511	Inside Belt Guard
	AC-0523	Outside Belt Guard
9	SSF-953-ZN	Belt Guard Screw (2 used)
10	PU-2898	Motor Pulley
11	BT-312	Belt (2 used)

Key No.	Part Number	Description
12	SSF-8131	Belt Guard Nut (2 used)
13	DAC-300-1	Magnetic Starter Box
14	AC-0763	Pressure Relief Tube
15	AC-0517	Outlet Tube
16	SSP-7811	Nut Sleeve Assembly 1/4" (2 used)
17	AC-0764	Manifold
18	SSP-7824	Nut Sleeve Assembly 5/8" (2 used)
19	CAC-4205	Cord, Electric

Part Not Shown
 DAC-252
 AC-0467
 AC-0485
 SSP-555

Check Valve
 Base Bracket
 Base Bracket
 Nipple

CPLMC7580V2C



CPLMC7580V2C

Key No.	Part Number	Description	Qty	Key No.	Part Number	Description	Qty
1	--	Head Bolt (M10x80)	6	45	--	Oil Breather Gasket	1
2	--	Head	1	46	BAL-1000112	Oil Breather Assembly	1
3	--	Inlet Filter Elbow	1	47	--	Oil Breather Bolt (M4x18)	2
4	--	Bolt, Inlet Elbow to Head	2	47-1	*	Aftercooler Top Cap Gasket	1
6	*	Intake Valve (kit A032040)	2	47-2	--	Aftercooler Top Cap	1
7	*	Outlet Valve (kit A032040)	2	47-3	--	Aftercooler Bottom Cap Gasket	1
8	BAL-1000345	Valve Plate	2	47-4	--	Aftercooler Bottom Cap	1
9	*	Cylinder Gasket	1	48	*	Conrod Insert	2
10	--	Cylinder	1	50	AC-0469	Safety Valve (1/4-NPT)	1
11	--	Cylinder Bolt (M10x30)	6	51	1000090	Aftercooler	1
12	--	Bolt (M10x25)	13	56	AC-0437	Inlet filter Assembly	1
13	BAL-1000269	Cylinder Bolt Washer (Ø 10.5x17)	6	56-1	FE001	Filter Element	1
14	--	Main Bearing Housing	1	58	SSP-525	Drain Plug	1
15	*	Bearing Housing Gasket	2	60	9107241	Cooler Cap Bolt (6 x 20)	14
18	--	Crankcase	1	61	100135	Cooler Cap Nut	14
19	BAL-1000306	Oil Sight Glass with O-ring	1				
20	BAL-1000519	Oil Fill Plug	1				
21	--	Conrod Nut (M8x1)	4				
21-1	*	Conrod Washer (Ø 8)	4				
21-2	*	Conrod, New Style (20mm)	2				
22	*	Oil Splash Pin	2				
23	--	Main Bearing (6206)	2				
24	--	Oil Seal (50/30/8)	1				
25	--	Main Bearing Housing	1				
26	AC-0436	Flywheel	1				
27	--	Flywheel Washer	1				
28	BAL-1000417	Flywheel Bolt (M10x30LHT)	1				
29	--	Crankshaft	1				
31	--	Conrod Bolt (M8x45)	4				
32	*	Wrist Circlip Pin	4				
33	*	HP Wrist Pin	1				
33-1	*	Wrist Pin Bushing	2				
34	*	LP Wrist Pin	1				
35	*	LP Piston	1				
36	*	HP Piston	1				
37&38	BAL-8226021	HP & LP Piston Ring Set	1				
39	*	Intercooler	1				
39-1	*	Intercooler Cap Gasket	1				
39-2	*	Intercooler Cap	1				
40	*	Crankcase Gasket	1				
41	*	Valve Plate Gasket, Copper	1				
42	*	Head Gasket	1				
43	*	Cooler O-Ring Gasket	3				

* only available in kits, not available individually
 -- not available

KITS AVAILABLE

Valve Kit, Part No. BAL-8226024, contains:

Key Numbers 6 - Intake Valve (qty 2)
 7 - Outlet Valve (qty 2)
 9 - Cylinder Gasket (qty 1)
 41 - Valve Plate Gasket, Copper (qty 1)
 42 - Head Gasket (qty 1)
 43 - Head Gasket (qty 1)

Gasket Kit, Part No. BAL-8226022 contains:

Key Numbers 9 - Cylinder Gasket (qty 1)
 15 - Bearing Housing Gasket (qty 2)
 40 - Crankcase Gasket (qty)
 41 - Valve Plate Gasket, Copper (qty 1)
 42 - Head Gasket (qty 1)
 43 - Head Gasket (qty 1)
 39-1 - Intercooler Cap Gasket (qty 1)
 47-1 - Aftercooler Top Cap Gasket (qty 1)

Running Gear Kit High and Low Pressure,

Part No. BAL-8226023 contains:

Key Numbers 32 - Wrist Circlip Pin (qty 4)
 33 - HP Wrist Pin (qty 1)
 33-1 - Wrist Pin Bushing (qty 2)
 21 - Conrod Nut (M8x1) (qty 4)
 21-1 - Conrod Washer (Ø 8) (qty 4)
 21-2 - Conrod, New Style (20mm) (qty 2)
 22 - Oil Splash Pin (qty 2)
 36 - HP Piston (qty 1)
 48 - Conrod Insert (qty 2)

